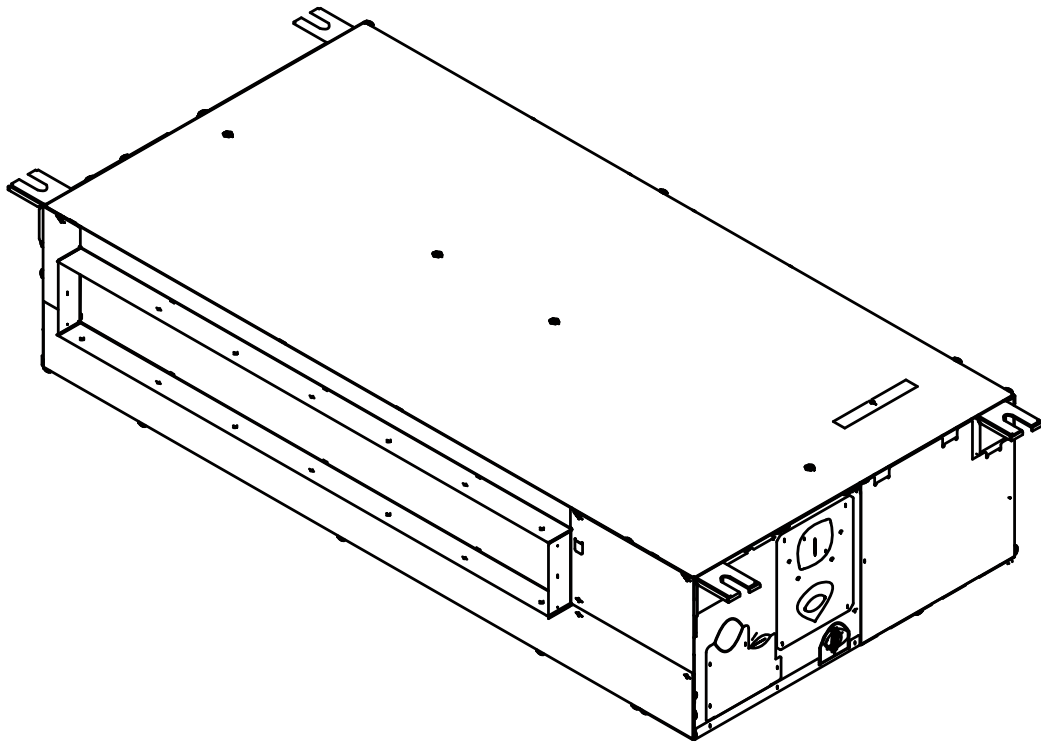




**GE APPLIANCES**  
*a Haier company*

## Installation Instructions

## Slim Duct



Design may vary by model number.

L'aspect peut varier selon le numéro de modèle.

El diseño puede variar según el número de model.

For the FlexFit series using other styles indoor units, refer to the Installation Manual supplied with those units.

# Table of Contents

---

IMPORTANT SAFETY INFORMATION.....	4
INSTALLATION INSTRUCTIONS.....	5
Step 1.....	9
Step 2.....	10
Step 3.....	12
Step 4.....	12
LIMITED WARRANTY.....	13

# IMPORTANT SAFETY INFORMATION

## READ ALL INSTRUCTIONS BEFORE USING THE APPLIANCE

**⚠ WARNING** For your safety, the information in this manual must be followed to minimize the risk of fire, electric shock, or personal injury.

- Use this equipment only for its intended purpose as described in this manual.
- This heat pump must be properly installed in accordance with these instructions before it is used.
- All wiring should be rated for the amperage value listed on the rating plate. Use only copper wiring.
- All electrical work must be completed by a qualified electrician in accordance with local and national building codes.
- Any servicing must be performed by a qualified individual.

**For any service which requires entry into the refrigerant sealed system, Federal regulations require that the work is performed by a technician having a Class II or Universal certification.**

- All air conditioners contain refrigerants, which under federal law must be removed prior to product disposal. If you are getting rid of an old product with refrigerants, check with the company handling disposal.
- These R-410A heat pumps systems require that contractors and technicians use tools, equipment and safety standards approved for use with this refrigerant. DO NOT use equipment certified for R22 refrigerant only.

**⚠ WARNING** RISK OF ELECTRIC SHOCK. Could cause injury or death.

- An adequate ground is essential before connecting the power supply.
- Disconnect all electric power supplies before servicing.
- Repair or replace immediately all electrical wiring that has become frayed or otherwise damaged. Do not use wiring that shows cracks or abrasion damage along its length or at either end.

**⚠ WARNING** RISK OF FIRE. Could cause injury or death.

- Do not store or use combustible materials, gasoline or other flammable vapors or liquids in the vicinity of this or any other appliance.

## READ AND SAVE THESE INSTRUCTIONS

# Installation Instructions

FOR MORE HELP, VISIT [HAIERAPPLIANCES.COM/DUCTLESS](http://HAIERAPPLIANCES.COM/DUCTLESS) OR [GEAPPLIANCES.COM/DUCTLESS](http://GEAPPLIANCES.COM/DUCTLESS)

## BEFORE YOU BEGIN

Read these instructions completely and carefully.

- **IMPORTANT** — Save these instructions for local inspector's use.
- **IMPORTANT** — Observe all governing codes and ordinances.
- **Note to installer** — Be sure to leave these instructions with the owner.
- **Note to consumer** — Keep these instructions for future reference.
- **Skill level** — A licensed certified technician (to handle refrigerant R-410A, recovery, etc) and a qualified electrician are required for installation and service of this split heat pump system.
- Use team lift for mounting the ducted unit.
- Proper installation is the responsibility of the installer.
- Product failure due to improper installation is not covered under the limited warranty.
- For personal safety, this system must be properly grounded.
- Protective devices (fuses or circuit breakers) acceptable for installation are specified on the nameplate of each unit.
- Make sure to avoid wiring or plumbing inside the wall when installing.

## ⚠ CAUTION

- Aluminum building wiring may present special problems - consult a qualified electrician.
- When the unit is in the STOP position, there is still voltage to the electrical controls.

# Installation Instructions: List of Materials

## Required Tools for Installation

- |   |  |
|---|--|
| <ul style="list-style-type: none"><li>• 17mm, 22mm, 26mm or Adjustable Wrench</li><li>• #2 Phillips Screwdriver</li><li>• Drill</li><li>• R-410A Approved Flaring Tool</li><li>• Hex Wrench</li><li>• Hole Saw 2 1/4"</li><li>• Level</li><li>• Manifold Gauge</li><li>• Measuring Tape</li><li>• Micron Gauge</li><li>• Mini-Split Adapter (5/16"F to 1/4"M)</li><li>• Nitrogen*</li></ul> | <ul style="list-style-type: none"><li>• Pipe Cutter</li><li>• Razor Knife</li><li>• Reamer</li><li>• Sealant, non-expanding (for line set opening)</li><li>• HVAC leak solution or refrigerant leak detector</li><li>• Stud Finder</li><li>• Torque Wrench and Back-up Wrench</li><li>• Vacuum Pump</li><li>• Wire Strippers</li><li>• Refrigerant Scale</li><li>• Usual and customary HVAC hand tools</li></ul> |
|---|--|

## Supplied with Unit

- |   |  |
|---|--|
| <ul style="list-style-type: none"><li>• Condensate connecting tube</li><li>• Clamp</li><li>• Flare nuts (2)</li></ul> | <ul style="list-style-type: none"><li>• YR-E17 wired controller</li><li>• 15 ft cable</li><li>• Insulation</li></ul> |
|---|--|

## Supplied by Installer

Model	Liquid (inch)	Vapor (inch)
AD07SL2VH (B)	1/4	3/8
AD09SL2VH (B)	1/4	3/8
AD12SL2VH (B)	1/4	3/8
AD18SL2VH (B)	1/4	1/2

- Insulated copper tubing
- 14/4 (14 gauge – 4 conductor) stranded copper cable
- 3/4 inch PVC for condensate
- Insulation for condensate drain
- 3/8 threaded rod, washers and nuts
- R410A Refrigerant

# Installation Instructions: Introduction and Overview

## Ducted Product Information

The Ducted Indoor unit is shipped with a wired remote controller.

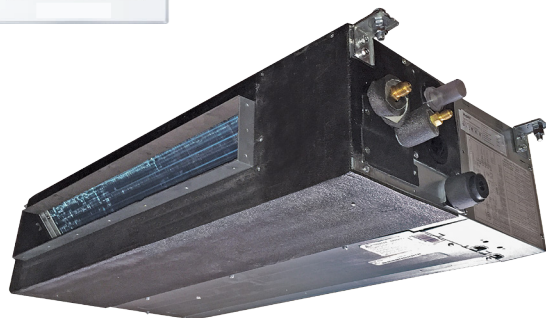
The Ducted unit will install above the ceiling or in a soffit area. It is mounted using threaded rods that fit into brackets that are located at all four corners of the cabinet.

Each unit has a built-in condensate pump and a float switch to avoid an overflow situation and to maintain reliable operation. An insulated condensate fitting is included in the accessory pouch. This fitting connects the condensate drain outlet of the unit to the field-supplied drain piping.

When making refrigerant line connections, always use the flare nuts provided with this equipment. Refrigerant line connections should be wrapped with insulating tape at the unit to prevent sweating.



YR-E17 Wired Controller  
See wired controller manual  
for more information

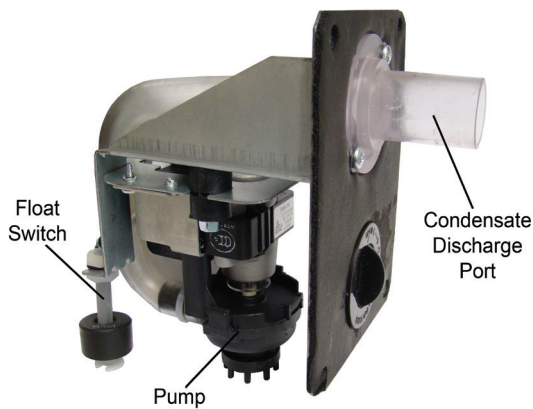


# Installation Instructions: Introduction and Overview

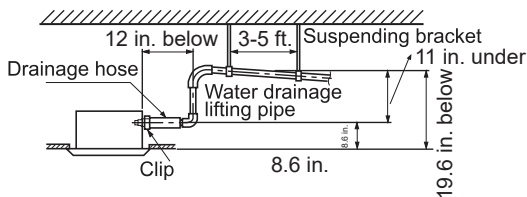
## Condensate Handling

The Ducted unit has a built-in condensate pump and water level safety switch. There are also two optional ports for gravity drainage. The condensate pump is rated to lift water up to 27" from the point of discharge on the Ducted unit. (This number may vary.)

The Ducted unit comes with a grey connection hose and clamp. This hose is connected to the condensate discharge hose port. The other end of the hose is sized to accept 3/4 inch PVC piping.



Recommended condensate piping configurations are shown here:



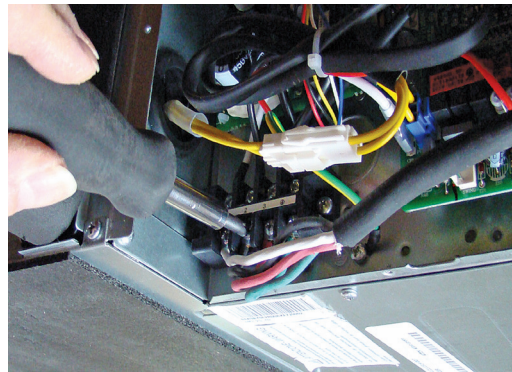
## Electrical Power

Follow all local codes and regulations when installing electrical wiring.

Route required electrical power to area where the Ducted unit is to be located. Maintain at least a 10 foot separation between TV, radio, or any communication wiring and the power to the indoor unit.

14-gauge stranded copper wire should be used to make the electrical connection and communication link between indoor and outdoor units.

The wiring is connected at the indoor unit electrical terminal blocks screws 1, 2, 3 and ground. There should be no splices in the wires between the indoor and outdoor units, as these serve as communication signal wires and electrical power connections. Any accessory added to shut off power to the indoor section should break the Number 2 terminal only.



## Air Delivery Clearances

Make certain to maintain proper clearances around the Ducted unit.

Inadequate clearances can cause system operation and temperature control problems.

## Service and Maintenance Clearances

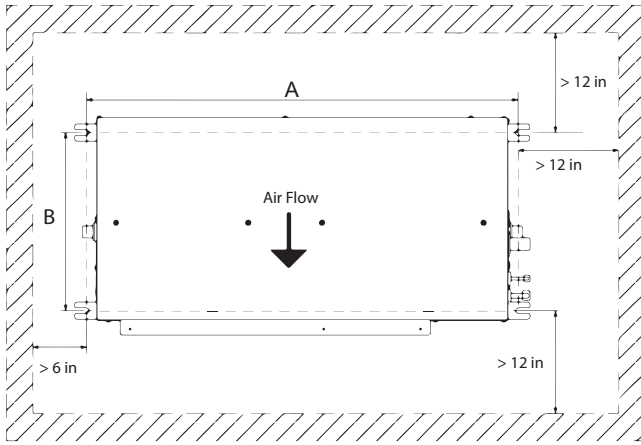
Make sure there are adequate clearances for future maintenance and service. Allow enough room to access the condensate pump assembly and the electrical control box.



# Installation Instructions

## MINIMUM CLEARANCES AND DIMENSIONS (Appearance may vary)

This picture is for reference only. Your product may look different.



Model	A - Inches (mm)	B - Inches (mm)
AD07SL2VHA	35 1/8 (892)	14 1/2 (369)
AD07SL2VHB	35 1/8 (892)	14 1/2 (369)
AD09SL2VHA	35 1/8 (892)	14 1/2 (369)
AD09SL2VHB	35 1/8 (892)	14 1/2 (369)
AD12SL2VHA	35 1/8 (892)	14 1/2 (369)
AD12SL2VHB	35 1/8 (892)	14 1/2 (369)
AD18SL2VHA	47 3/4 (1213)	14 1/2 (369)
AD18SL2VHB	47 3/4 (1213)	14 1/2 (369)

## Step 1 - Preparation

### A. Procedure for selecting the location:

- Place above the ceiling or in soffit area where you have enough space to position the unit.
- Place where the drainage pipe can be properly positioned.
- Place where the inlet and outlet air of the indoor unit will not be blocked.
- Do not install the unit in a place with heavy oil or moisture (e.g. - kitchens and workshops)
- Do not install in a location with destructive gas (such as sulfuric acid gas) or pungent gas (thinner and gasoline) are used or stored.
- Choose a place solid enough to support the weight of the unit and where air movement will not be

objectionable. The place should be also solid enough dampening the vibration of the unit and to cancel the operational noise

- Mount the unit in a location which will not adversely affect occupants, building components, or valuable possessions.
- Leave enough space for maintenance.
- Install at least 3 ft. away from sources that may create electronic interference.

### NOTES:

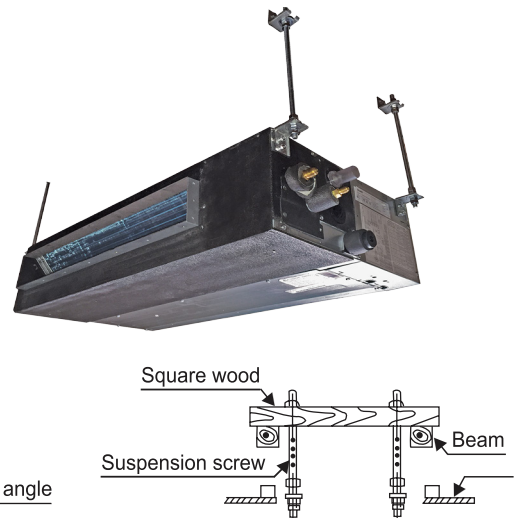
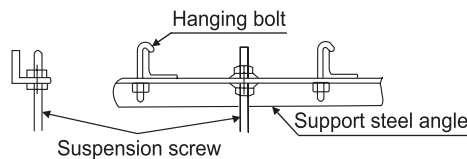
- R-410A refrigerant is a safe, nontoxic, and nonflammable refrigerant. However, if there is a concern about refrigerant concentration in the case of leakage, add extra ventilation.

### B. Rod Mounting Information:

The Ducted unit should be mounted to the building structure using threaded rods. The threaded rods should have washers and nuts to allow the height and level of the unit to be adjusted.

The threaded rods and attachment hardware are field supplied items. The materials required for mounting include:

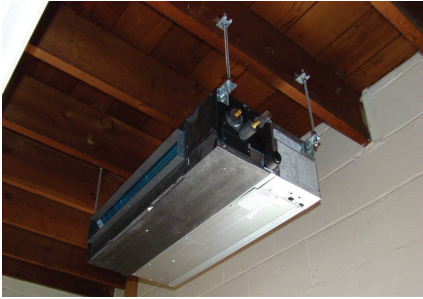
- 4- 3/8" Threaded Rods
- 4- Mounting Brackets
- Washers
- Nuts (Double shown in step 2C)



# Installation Instructions

## Step 2 - Mounting the Unit

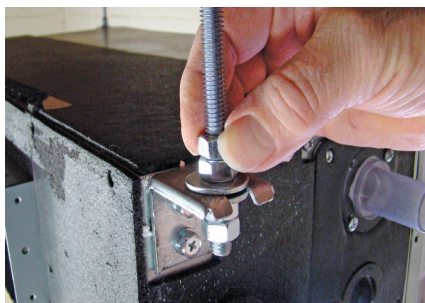
- A.** Determine and mark the position of where the Ducted unit is to be installed. Install the hardware necessary to mount the threaded rods. Always select a location strong enough to support the entire weight.



- B.** Install threaded rods to the hardware attached to the structure.



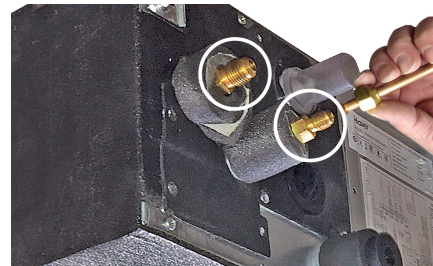
- C.** Lift the Ducted unit and position the threaded rods into the four mounting foot on each corner.



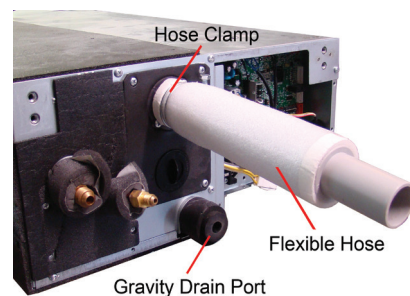
- D.** Using a level, adjust the readings on the threaded rods to obtain level readings both side to side and front to back.



- E.** Ream both inside and outside of the refrigerant tubing where a cut has been made. Use every precaution to ensure reamed copper chips not to lodge inside the tubing. Install the factory-supplied flare nuts on the refrigerant tubing using an R-410A flaring tool ONLY. Apply a small amount of refrigerant oil to the back of the flare and threads. Tighten the flares with a torque wrench and back-up wrench to the specifications found in the outdoor unit Installation Manual.



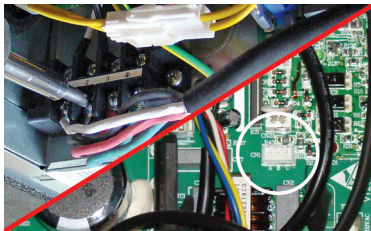
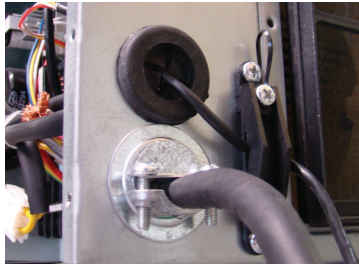
- F.** Connect the grey flexible drain hose supplied to the condensate pump discharge pipe. Tighten the clamp securely. Using 3/4 " PVC, connect the flexible hose to the building's condensate drain system.



# Installation Instructions

## Step 2 - Mounting the Unit (Cont.)

**G.** Route the 14AWG stranded 4-conductor power/communication cable and the wired remote cable to the air handler. Use reducing washers and appropriate connector to attach the power/communication cable to the unit. The wired remote cable will enter the unit through a rubber grommet. The 4 conductor cable connects to the terminal block at terminals 1, 2, 3, and Ground. The wired remote cable connects to the air handler main board at connector CN1 (ABC). Re-install electrical box cover.



### H. DIP Switch Settings (cont.)

SW1-6: Enable/Disable Room Card	
Enable Room Card	ON
Disable Room Card	OFF

SW1-4, SW1-5: External Static Pressure		
0"WC.	OFF	OFF
.04"WC	OFF	ON
.08"WC	ON	OFF
.16"WC	ON	ON

SW3-1, SW3-2, SW3-3, SW3-4: Addressing				
Address	SW3-1	SW3-2	SW3-3	SW3-4
Main Indoor Unit	OFF	OFF	OFF	OFF
Subordinate 1	ON	OFF	OFF	OFF
Subordinate 2	OFF	ON	OFF	OFF
Subordinate 3	ON	ON	OFF	OFF
Subordinate 4	OFF	OFF	ON	OFF
Subordinate 5	ON	OFF	ON	OFF
Subordinate 6	OFF	ON	ON	OFF
Subordinate 7	ON	ON	ON	OFF
Subordinate 8	OFF	OFF	OFF	ON
Subordinate 9	ON	OFF	OFF	ON
Subordinate 10	OFF	OFF	OFF	ON
Subordinate 11	ON	OFF	OFF	ON
Subordinate 12	OFF	ON	ON	ON
Subordinate 13	ON	ON	ON	ON
Subordinate 14	OFF	ON	ON	ON
Subordinate 15	ON	ON	ON	ON

SW1-7, SW1-8: Region		
	SW1-7	SW1-8
SLIM DUCT (AMERICA)	OFF	ON

### H. DIP Switch Settings

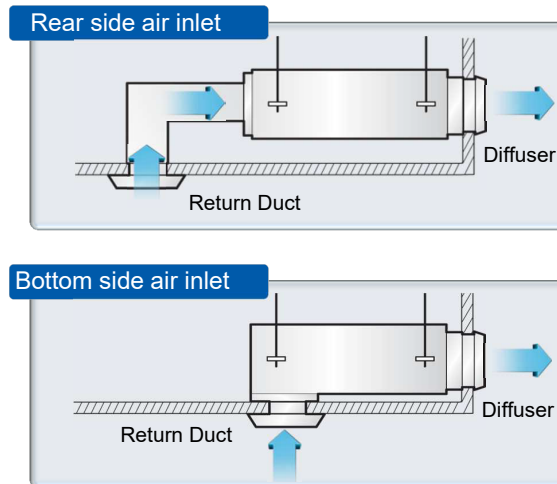
After attaching the 14/4 stranded copper wire to the terminal block, the DIP switch bank on the PCB need to be checked. Need to make sure all switches are in the correct position including a field-supplied external static pressure setting per the table below.

SW1-1, SW1-2, SW1-3: Capacity			
Indoor Unit BTU	SW1-1	SW1-2	SW1-3
6K	OFF	OFF	OFF
9K	ON	OFF	OFF
7K	ON	OFF	OFF
12K	OFF	ON	OFF
48K	ON	ON	OFF
18K	OFF	OFF	ON
24K	ON	OFF	ON
28K	OFF	ON	ON
36K	ON	ON	ON

# Installation Instructions

## Step 2 - Mounting the Unit (Cont.)

- I. The unit is now ready for connection to the ductwork. The return air duct can be configured as either a rear inlet or bottom inlet.

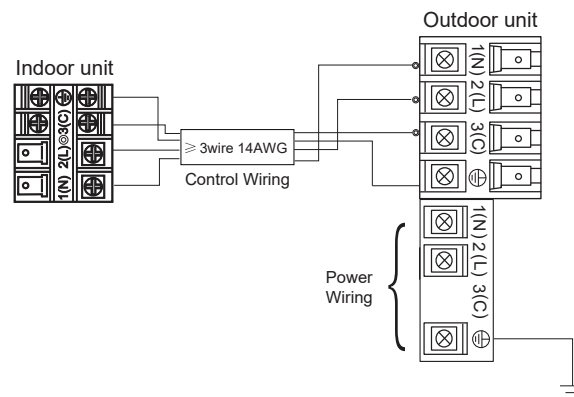


## Step 3 - Electrical Connections

### Electrical Connections Indoor and Outdoor Units

14AWG stranded copper wire only. (Central Controller Not Used)

Maintain 10 feet of distance from TV, radio or any communication wiring.



**NOTE:** The Slim Duct unit comes with the YR-E17 wired controller. See the Wired Controller Operation and Installation Manual for more information.

## Step 4 - Leak Testing and Evacuation

Refer to the outdoor section Installation Manual for the recommended procedure.

# Limited Warranty

For the product models listed on Attachment 1 (the "Product"), this Standard Limited Warranty is provided to the Original Owner of the Product:

For The Period Of:	Haier Will Replace:
5 year limited parts warranty From the date of the original purchase	This limited warranty cover all defects in workmanship or material for the mechanical and electrical parts contained in the Product ("Defective Parts") for a period of 5 years from the Date of Purchase. Haier will provide new or refurbished parts, or a replacement for all or part of the unit, at its sole discretion, to your licensed HVAC technician installer. This warranty also covers all defects in workmanship or material for the unit controller for a period of 1 year. The remote controller and WiFi module are covered by 1-year accessory warranty. The ductless system is covered by standard warranty. Haier will provide a new or refurbished controller, at its sole discretion.
7 year compressor warranty from the date of the original purchase	The compressor contained in this product is warranted for a period of 7 years from the Date of Purchase. Haier will provide a new or refurbished compressor, or a replacement for all or part of the unit, at its sole discretion, to your licensed HVAC technician installer.

## WHAT IS THE DATE OF PURCHASE

The "Date of Purchase" is the date that the original installation is complete and all product start-up procedures have been properly completed and verified by the installer's invoice. If the installation date cannot be verified, then the Date of Purchase will be sixty (60) days after the manufacture date, as determined by the Product's serial number. You should keep and be able to provide your original sales receipt from the installer as proof of the Date of Purchase. In new construction, the Date of Purchase will be the date the owner purchased the residence from the builder.

## WHO IS COVERED

Owner occupied: The "Original Owner" of this product, which means the original owner (and his or her spouse) of the residence where the Product was originally installed. Subject to the law of the state or province where the Product is installed, this warranty is not transferable to subsequent owners or if the product is moved to a different residence after the initial installation. Non-owner occupied: This limited warranty is provided for product 1) installed in a) single family or multi-family non-owner occupied residential buildings, or b) non-industrial commercial applications, (such as office buildings, retail establishments, hotels/motels) where the product is not subjected to an atmosphere with corrosives or high levels of particulates (such as soot, aerosols, fumes, grease), and 2) if the product is maintained annually by a licensed HVAC technician (proof of annual maintenance is required). The "Original Owner" of the product, means the original owner of the building where the product was originally installed. For new construction, the purchaser of the building from the builder will also be considered an original owner. This warranty is not transferable to subsequent owners or if the product is moved to a different location after the initial installation.

## HOW CAN YOU GET SERVICE

Contact your licensed HVAC technician installer. All installation and service must be performed by a licensed HVAC technician. Failure to use a licensed HVAC technician for installation of this Product voids all warranty on this Product..

## THIS WARRANTY DOES NOT COVER

- Damage from improper installation.
- Damage in shipping.
- Defects other than from manufacturing (i.e., workmanship or materials).
- Damage from misuse, abuse, accident, alteration, lack of proper care and/or regular maintenance, or incorrect electrical voltage or current.
- Damage resulting from floods, fires, wind, lightning, accidents or similar conditions.
- Damage from installation or other services performed by other than a licensed HVAC technician.
- Labor and related services for repair or installation of the Product.
- A Product purchased from an online retailer.
- Damage as a result of subjecting Product to an atmosphere with corrosives or high levels of particulates (such as soot, aerosols, fumes, grease).
- A Product sold and/or installed outside of the 50 United States, the District of Columbia, or Canada.
- Batteries for the controller and other accessories provided with the Product for installation (e.g., plastic hose).
- Normal maintenance, such as cleaning of coils, cleaning filters, and lubrication.
- For Product installed in non-owner occupied applications, Product that has not been maintained annually by a licensed HVAC technician (proof required).

Staple your receipt here. Proof of the original purchase date is needed to obtain service under the warranty.

# Limited Warranty

---

---

## 10 YEAR STANDARD REGISTERED LIMITED WARRANTY

---

All "Indoor and Outdoor Products," identified in Attachment 1, registered by the installer or the Original Owner within 60 days of the Date of Purchase shall receive a Standard Registered Limited Warranty, which shall be identical to the Standard Base Warranty, except that the Limited Parts Warranty shall be for a term of 10 Years and the Limited Compressor Warranty shall be for a term of 10 years. All Product not registered within 60 days of the Date of Purchase shall be subject to the Standard Base Warranty. Some states and provinces do not allow warranty terms to be subject to registration; in those states and provinces the longer terms for Limited Parts Warranty and the Limited Compressor Warranty apply.

---

**THIS LIMITED WARRANTY IS GIVEN IN LIEU OF ALL OTHER WARRANTIES, EXPRESS OR IMPLIED, INCLUDING THE WARRANTIES OF MERCHANTABILITY AND FITNESS FOR A PARTICULAR PURPOSE.**

---

The remedy provided in this warranty is exclusive and is granted in lieu of all other remedies. This warranty does not cover incidental or consequential damages. Some states and provinces do not allow the exclusion of incidental or consequential damages, so this limitation may not apply to you. Some states and provinces do not allow limitations on how long an implied warranty lasts, so this limitation may not apply to you. This warranty gives you specific legal rights and you may also have other rights which vary by state and province. This warranty covers units within the 50 United States, the District of Columbia and Canada. This warranty is provided by GE Appliances a Haier *company*, Louisville, KY 40225.

---

## ATTACHMENT 1

---

The "Product" is defined as Haier brand Ductless Split Units. The "Product" contains 2 sub-categories of goods: "Indoor and Outdoor Products" and "Selected Installation Products," which are further defined below: "Indoor and Outdoor Products" can further be identified by the following model number descriptions: 1U\*, 2U\*, 3U\*, 4U\*, AB\*, AD\*, AL\*, AM\*, AW\*, AF\*, MVA\* MVH\* "Selected Installation Products," identified by the following model number descriptions: PB-\* FQG-\*, AH1-\*, MS1-\* and MS3-\*

# Table des matières

---

CONSIGNES DE SÉCURITÉ IMPORTANTES . . . . .	16
INSTRUCTIONS D'INSTALLATION . . . . .	17
Étape 1 . . . . .	21
Étape 2 . . . . .	22
Étape 3 . . . . .	24
Étape 4 . . . . .	24
GARANTIE LIMITÉE . . . . .	25

# CONSIGNES DE SÉCURITÉ IMPORTANTES

## LISEZ TOUTES LES INSTRUCTIONS AVANT D'UTILISER L'APPAREIL

### **⚠ AVERTISSEMENT**

Pour votre sécurité, les renseignements dans ce manuel doivent être observés afin de minimiser le risque d'incendie, de décharge électrique ou de blessure.

- Utilisez cet équipement uniquement aux fins auxquelles il est fait mention dans ce manuel d'utilisation.
- Avant son utilisation, ce climatiseur doit être installé correctement en conformité avec les instructions d'installation.
- Tout le câblage doit présenter des valeurs nominales compatibles avec l'alimentation électrique spécifiée sur la plaque signalétique. Utilisez seulement du fil de cuivre.
- Tous les travaux électriques doivent être effectués par un électricien qualifié conformément aux codes du bâtiment locaux et nationaux
- Toute réparation doit être effectuée par une personne qualifiée.

**Si une réparation exige de pénétrer dans le système de frigorigène étanche, la réglementation fédérale impose de faire réaliser le travail par un technicien de Classe II ou détenant une certification universelle.**

- Tous les climatiseurs contiennent un frigorigène qu'il faut retirer avant de disposer du produit en vertu de la loi fédérale. Si vous vous débarrassez d'un produit qui contient un frigorigène, informez-vous auprès de l'organisme responsable d'en disposer.
- Ces systèmes de climatisation R-410A exigent que les entrepreneurs et les techniciens utilisent des outils, des équipements et des normes de sécurité approuvés pour ce type de frigorigène. N'utilisez PAS un équipement certifié pour le frigorigène R22 seulement.

### **⚠ AVERTISSEMENT**

**RISQUE DE CHOC ÉLECTRIQUE. Peut occasionner une blessure ou la mort.**

- Une mise à la terre est essentielle avant de brancher l'alimentation électrique.
- Déconnecter tout alimentations électriques avant l'entretien.
- Réparez ou remplacez immédiatement tout câblage électrique usé ou autrement endommagé. N'utilisez pas un câblage qui présente des fissures ou des marques d'abrasion sur sa longueur ou l'une de ses extrémités.

### **⚠ AVERTISSEMENT**

**RISQUE D'INCENDIE. Peut occasionner une blessure ou la mort.**

- Abstenez-vous d'entreposer ou d'utiliser des matières combustibles, de l'essence ou d'autres vapeurs ou liquides inflammables à proximité de cet appareil ou de tout autre.

## LISEZ ET CONSERVEZ CES INSTRUCTIONS



# Instructions d'installation

POUR OBTENIR DE L'AIDE SUPPLÉMENTAIRE, VISITEZ [HAIERAPPLIANCES.COM/DUCTLESS](http://HAIERAPPLIANCES.COM/DUCTLESS) OU [GEAPPLIANCES.COM/DUCTLESS](http://GEAPPLIANCES.COM/DUCTLESS)

## AVANT DE COMMENCER

**Veillez lire toutes ces instructions attentivement.**

- **IMPORTANT** — Conservez ces instructions à l'usage de l'inspecteur local.
- **IMPORTANT** — Observez tous les codes et ordonnances en vigueur.
  - **Note à l'installateur** — Assurez-vous de laisser ces instructions au propriétaire.
  - **Note au consommateur** - Conservez ces instructions pour référence ultérieure.
  - **Niveau de compétence** – Un technicien (pour manipuler le frigorigène R-410A, récupération, etc.) et un électricien agréés sont requis pour l'installation y compris de ce climatiseur à deux blocs.
  - Utilisez le lève-personne pour monter l'unité canalisée
  - L'exactitude de l'installation est la responsabilité de l'installateur.
  - La garantie ne couvre pas les défauts du produit causés par une installation inadéquate.
  - Pour votre sécurité, ce produit doit être correctement mis à la terre.
  - Les dispositifs de protection (fusibles ou disjoncteurs) admissibles pour l'installation sont spécifiés sur la plaque signalétique de chaque unité.
  - Si une réparation exige de pénétrer dans le système de frigorigène étanche, la réglementation fédérale impose de faire réaliser le travail par un technicien de Classe II ou détenant une certification universelle.

## ATTENTION

- N'utilisez pas un cordon de rallonge avec ce système.
- Le câblage de bâtiment en aluminium peut présenter des problèmes particuliers, veuillez consulter un électricien agréé.

# Instructions d'installation: Liste du matériel

## Outils nécessaires pour l'installation

- Clé 17 mm, 22 mm, 26 mm ou clé réglable
- Tournevis à tête cruciforme no 2
- Perceuse
- Outil à évaser approuvé pour R-410A
- Clé hexagonale
- Scie-cloche 2 1/4 po
- Niveau
- Manomètre de pression d'admission
- Ruban à mesurer
- Microvacuomètre
- Adaptateur « mini-split » (5/16 po F à 1/4 po M)
- Azote\*
- Coupe-tube
- Couteau utilitaire
- Alésoir
- Scellant, non expansif (pour ouverture de ligne)
- Solution de fuite de CVC ou détecteur de fuite de réfrigérant
- Localisateur de montants
- Clé dynamométrique et clé d'appoint
- Pompe à vide
- Pincés à dénuder
- Balance de réfrigérant
- Outils manuels habituels en CVC

## Fourni avec l'appareil

- Tube de raccord pour condensat
- Bride
- Raccords coniques (2)
- Commande câblée YR-E17
- Câble 15 pi (4,6 m)
- Isolant

## Fourni par l'installateur

- Tuyau de cuivre isolé
- Câble en cuivre toronné 14/4 (calibre 14 – 4 conducteurs)
- PVC 3/4 po pour condensat
- Isolant pour drain à condensat
- Tige filetée 3/8, rondelles et écrous
- Frigorigène R410A

Modèle	Liquide (po)	Vapeur (po)
AD07SL2VH (B)	1/4	3/8
AD09SL2VH (B)	1/4	3/8
AD12SL2VH (B)	1/4	3/8
AD18SL2VH (B)	1/4	1/2

# Instructions d'installation: Introduction et vue d'ensemble

## Informations sur le produit à conduits

L'unité intérieure à conduits est livrée avec une commande à distance câblée.

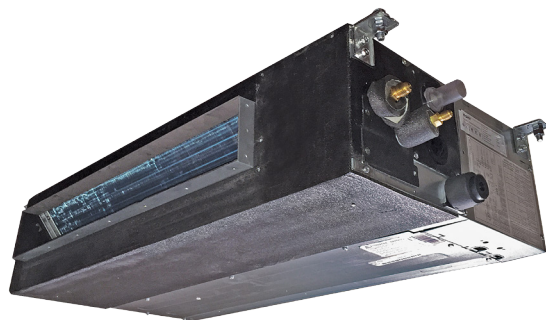
L'unité à conduits sera installée au-dessus du plafond ou dans une zone de soffite. Elle est montée avec des tiges filetées qui se placent dans des supports situés à tous les quatre coins de cabinet.

Chaque l'unité à conduits étroits comporte une pompe à condensat intégrée et un interrupteur à flotteur pour éviter les débordements et maintenir un fonctionnement fiable. Un raccord pour condensat isolé est inclus dans la trousse d'accessoires. Ce raccord connecte la sortie du condensat de l'unité au tuyau de vidange acheté localement.

Lors de la réalisation des raccordements de la conduite de réfrigérant, utilisez toujours les raccords coniques fournis avec cet équipement. Les raccords de la conduite de réfrigérant doivent être enveloppés du ruban isolant au niveau de l'unité afin de prévenir le suintement.



Commande câblée YR-E17  
Consultez le manuel de la commande câblée pour des renseignements supplémentaires.

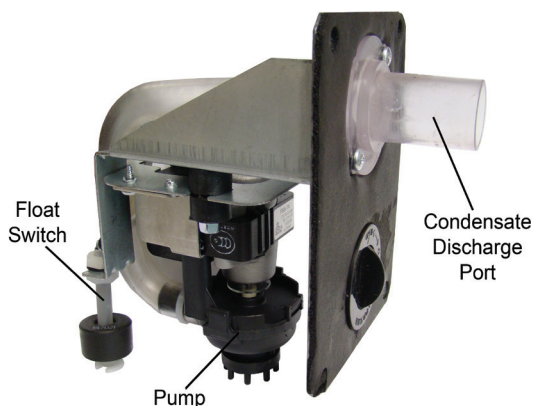


# Instructions d'installation: Introduction et vue d'ensemble

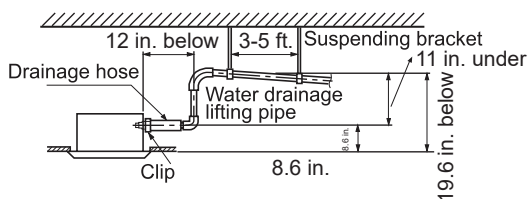
## Gestion du condensat

L'unité à conduits comporte une pompe à condensat intégrée et un interrupteur de sécurité du niveau d'eau. Elle est aussi dotée de deux orifices facultatifs pour l'évacuation par gravité. La pompe à condensat est homologuée pour monter l'eau jusqu'à 27 po (68,6 cm) depuis le point d'évacuation sur l'unité à conduits. (Ce chiffre peut varier.)

L'unité à conduits est livrée avec un flexible de raccordement gris et une bride. Ce flexible est raccordé à l'orifice pour flexible d'évacuation du condensat. L'autre extrémité du flexible est dimensionnée pour accepter un tuyau PVC de 3/4 po.



Les configurations de tuyauterie du condensat recommandées sont indiquées ici:



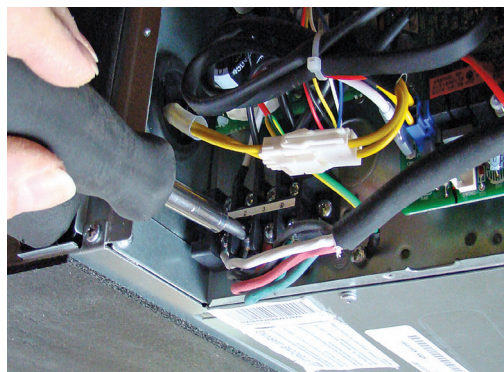
## Alimentation électrique

Suivez tous les codes et règlements locaux lorsque vous installez le câblage électrique.

Acheminez l'alimentation électrique requise vers la zone où l'unité à conduits est située. Maintenir au moins une séparation de 10 pi (3 m) entre le câblage de la télévision, la radio ou tout câblage de communication et l'alimentation à l'unité intérieure.

Un câble toronné en cuivre de calibre 14 doit être utilisé pour effectuer les connexions électriques et le lien de communication entre les unités intérieure et extérieure.

Le câblage est connecté au vis 1, 2, 3 du bornier de l'unité intérieure et à la terre. Il ne doit pas y avoir d'épissures dans les fils entre les unités intérieure et extérieure car ils acheminent les signaux de communication et l'alimentation électrique. Tout dispositif ajouté pour couper le courant à la section intérieure doit couper la borne numéro 2 seulement.



## Dégagements pour la circulation d'air

Assurez-vous de maintenir les dégagements appropriés autour de l'unité à conduits.

Des dégagements inadéquats peuvent occasionner des problèmes de fonctionnement du système et de contrôle de la température.

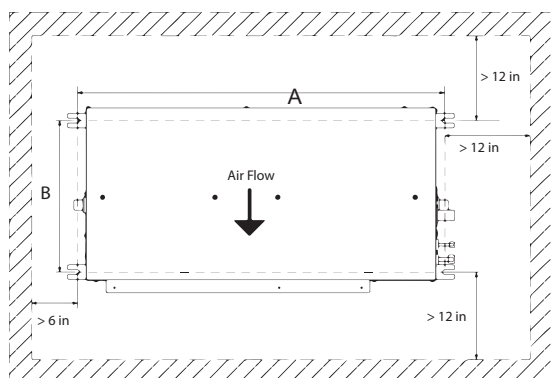
## Dégagements pour réparation et entretien

Assurez-vous de procurer les dégagements appropriés pour l'entretien et les réparations à venir. Allouez suffisamment d'espace pour accéder à la pompe de condensat et au boîtier de commandes électriques.

# Instructions d'installation

## DÉGAGEMENTS ET DIMENSIONS MINIMAUX (L'aspect peut varier)

Cette illustration est pour référence seulement. L'aspect de votre produit peut être différent. Lisez votre manuel avant l'installation. Expliquez le fonctionnement de l'appareil à l'utilisateur selon ce manuel.



Modèle	A- Pouces (mm)	B- Pouces (mm)
AD07SL2VHA	35 1/8 (892)	14 1/2 (369)
AD07SL2VHB	35 1/8 (892)	14 1/2 (369)
AD09SL2VHA	35 1/8 (892)	14 1/2 (369)
AD09SL2VHB	35 1/8 (892)	14 1/2 (369)
AD12SL2VHA	35 1/8 (892)	14 1/2 (369)
AD12SL2VHB	35 1/8 (892)	14 1/2 (369)
AD18SL2VHA	47 3/4 (1213)	14 1/2 (369)
AD18SL2VHB	47 3/4 (1213)	14 1/2 (369)

## Étape 1 – Préparation

### A. Sélection de l'emplacement:

- Placez l'unité au-dessus du plafond ou dans la zone de soffite où il y a suffisamment d'espace pour la placer.
- Placez l'unité là où le tuyau d'évacuation peut être installé adéquatement.
- Placez l'unité là où l'air d'entrée et de sortie de l'unité intérieure ne sera pas obstruée.
- N'installez pas l'unité dans un endroit où il y a de l'huile lourde ou de l'humidité (p.ex. cuisines et ateliers)
- N'installez pas l'unité dans un endroit où sont utilisés ou entreposés des gaz corrosifs (p.ex. gaz d'acide sulfurique) ou caustiques (diluants ou essence).
- Choisissez un endroit suffisamment solide pour supporter le poids de l'unité, où le mouvement de

l'air n'ajoutera pas au poids et aux vibrations de l'unité et où le bruit de fonctionnement se sera pas amplifié. L'endroit doit également être suffisamment solide pour amortir les vibrations de l'unité et annuler le bruit de fonctionnement.

- Placez l'unité dans un endroit qui sera exempt d'impact sur les occupants, les composants du bâtiment ou les biens de valeur.
- Laissez suffisamment d'espace pour l'entretien.
- Placez l'unité à au moins 3 pi (1 m) des sources pouvant générer du brouillage électronique.

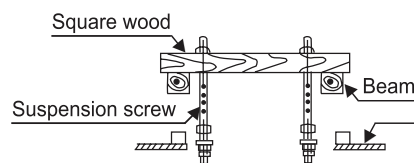
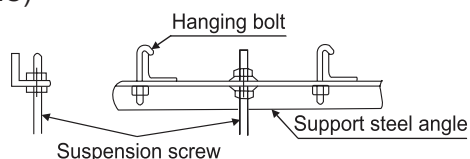
### REMARQUES:

- Le réfrigérant R-410a est sûr, non toxique et ininflammable. Cependant, si la concentration de réfrigérant dans le cas d'une fuite est préoccupante, ajoutez un supplément de ventilation.

### B. Montage des tiges filetées:

L'unité à conduits doit être montée sur la structure du bâtiment à l'aide de tiges filetées. Les tiges filetées doivent recevoir des rondelles et des écrous permettant de régler la hauteur et le niveau de l'unité. Les tiges filetées et les supports de fixation seront achetées localement. Le matériel requis pour monter l'unité:

- Tiges filetées 3/8 po (4)
- Supports de montage (4)
- Rondelles
- Écrous (double illustré à l'étape 2C)



# Instructions d'installation

## Étape 2 - Montage de l'appareil

- A.** Déterminez et marquez la position d'installation de l'unité à conduits. Installez la quincaillerie nécessaire pour monter les tiges filetées. Choisissez toujours un endroit suffisamment solide pour soutenir poids.



- B.** Installez les tiges filetées sur la quincaillerie fixée à la structure.



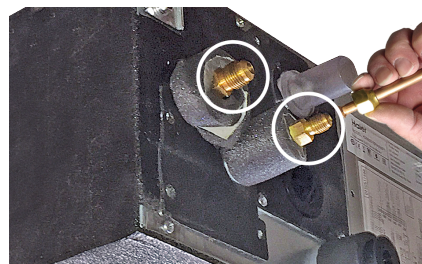
- C.** Soulevez l'unité canalisée et placez les tiges filetées dans les quatre pieds de montage à chaque coin.



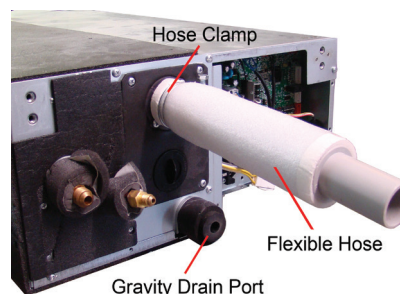
- D.** À l'aide d'un niveau, ajustez les écrous sur les tiges filetées pour obtenir une lecture de niveau d'un côté à l'autre et d'avant en arrière.



- E.** Alésez l'intérieur et l'extérieur de la tubulure de réfrigérant où une coupe a été faite. Utilisez des précautions pour empêcher que des particules de cuivre ne s'introduisent dans la tubulure. Installez les raccords coniques de l'usine sur la tubulure de réfrigérant à l'aide d'un outil à évaser pour R-410A SEULEMENT. Appliquez une petite quantité d'huile pour réfrigérant sur l'arrière des raccords coniques et les filetages. Serrez les raccords coniques avec une clé dynamométrique et une clé d'appoint aux couples de serrage qui figurent dans le manuel d'installation de l'unité extérieure.



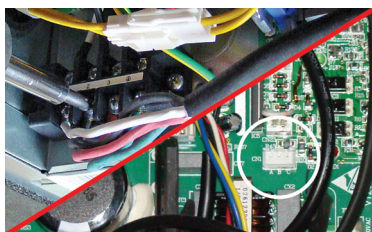
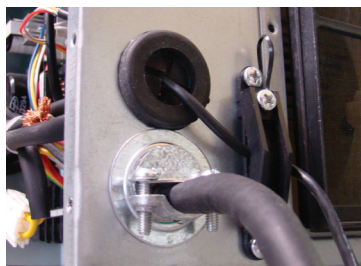
- F.** Raccordez la flexible d'évacuation gris fourni sur le tuyau d'évacuation de la pompe à condensats. Serrez la bride fermement. À l'aide d'un tuyau PVC 3/4 po, raccordez le flexible au système d'évacuation du condensat du bâtiment.



# Instructions d'installation

## Étape 2 - Montage de l'appareil (Cont.)

**G.** Acheminez le câble d'alimentation/de communication toronné à 4 conducteurs de calibre 14AWG et le câble de la commande à distance câblée à l'unité de traitement d'air. Utilisez les rondelles de réduction et un connecteur approprié pour fixer le câble d'alimentation/de communication sur l'unité. Le câble de la commande à distance câblée pénétrera dans l'unité par un passe-fils en caoutchouc. Le câble à 4 conducteurs se branche sur le bornier aux bornes 1, 2, 3 et à la terre. Le câble de la commande à distance câblée se branche à la carte principale de l'unité de traitement d'air au connecteur CN1 (ABC). Réinstallez le couvercle du boîtier électrique.



### H. DIP Switch Settings (cont.)

SW1-6: Activer/Désactiver la carte de la pièce	
Activer la carte de la pièce	Marche
Désactiver la carte de la pièce	Arrêt

SW1-4, SW1-5: Pression statique extérieure (ang. ESP)		
0 po CE	Arrêt	Arrêt
.04 po CE	Arrêt	Marche
.08 po CE	Marche	Arrêt
.16 po CE	Marche	Marche

SW3-1, SW3-2, SW3-3, SW3-4: Adressage				
Adresse	SW3-1	SW3-2	SW3-3	SW3-4
Unité int. princ.	Arrêt	Arrêt	Arrêt	Arrêt
Subordonnée 1	Marche	Arrêt	Arrêt	Arrêt
Subordonnée 2	Arrêt	Marche	Arrêt	Arrêt
Subordonnée 3	Marche	Marche	Arrêt	Arrêt
Subordonnée 4	Arrêt	Arrêt	Marche	Arrêt
Subordonnée 5	Marche	Arrêt	Marche	Arrêt
Subordonnée 6	Arrêt	Marche	Marche	Arrêt
Subordonnée 7	Marche	Marche	Marche	Arrêt
Subordonnée 9	Marche	Arrêt	Arrêt	Marche
Subordonnée 10	Arrêt	Arrêt	Arrêt	Marche
Subordonnée 11	Marche	Arrêt	Arrêt	Marche
Subordonnée 12	Arrêt	Marche	Marche	Marche
Subordonnée 13	Marche	Marche	Marche	Marche
Subordonnée 14	Arrêt	Marche	Marche	Marche
Subordonnée 15	Marche	Marche	Marche	Marche

SW1-7, SW1-8: Région		
	SW1-7	SW1-8
CONDUIT ÉTROIT (AMÉRIQUE)	Arrêt	Marche

### H. Réglages du commutateur DIP

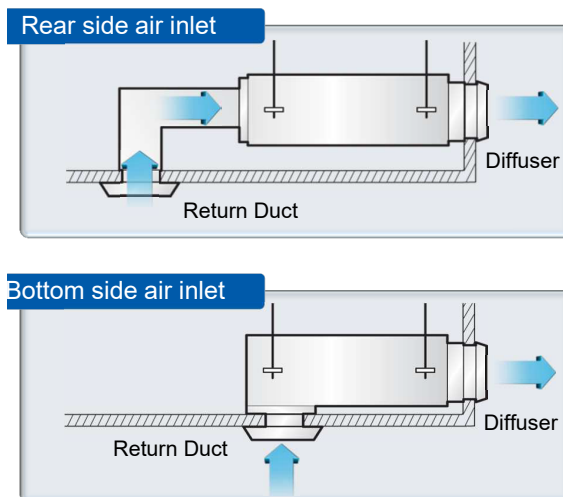
Après avoir raccordé le fil de cuivre à 14/4 torons au bornier, vous devez vérifier le groupe de commutateurs DIP sur le circuit imprimé. Vous devez vous assurer que tous les commutateurs sont dans la bonne position, y compris un réglage de pression statique externe fourni par l'utilisateur, conformément au tableau ci-dessous.

SW1-1, SW1-2, SW1-3: Capacité			
Unité intérieure BTU	SW1-1	SW1-2	SW1-3
6K	Arrêt	Arrêt	Arrêt
9K	Marche	Arrêt	Arrêt
7K	Marche	Arrêt	Arrêt
12K	Arrêt	Marche	Arrêt
48K	Marche	Marche	Arrêt
18K	Arrêt	Arrêt	Marche
24K	Marche	Arrêt	Marche
28K	Arrêt	Marche	Marche
36K	Marche	Marche	Marche

# Instructions d'installation

## Étape 2 - Montage de l'appareil (Cont.)

H. L'unité est maintenant prête pour le raccordement aux conduits. La conduite de retour d'air peut être installée comme une entrée par l'arrière ou par le bas.

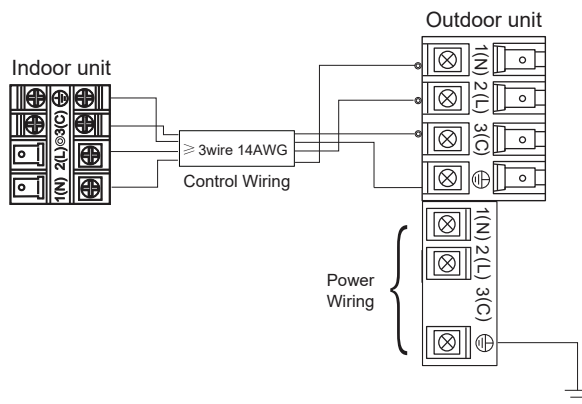


## Étape 3 - Connexions électriques

### Connexions électriques des unités intérieure et extérieure

Câble de cuivre toronné calibre 14AWG seulement. (Commande centrale non utilisée)

Maintenez une distance de 10 pi (3 m) jusqu'au câblage de la TV, la radio ou tout câblage de communication.



**REMARQUE :** L'unité à conduits étroits est livrée avec la commande câblée YR-E17. Voyez le manuel d'installation relatif à l'installation et au fonctionnement de la télécommande câblée

## Étape 4 - Vérification des fuites et évacuation

Reportez-vous au manuel d'installation de la section extérieure pour la procédure recommandée.



# Garantie limitée

Cette Garantie limitée standard est attribuée à l'Acheteur initial du Produit pour les modèles énumérés sous l'Annexe 1 (le « Produit ») :

Pour la période de:	GE Appliances, a Haier company va remplacer:
Garantie limitée de 5 ans sur les pièces	Cette garantie couvre tous les vices de matière et de fabrication des pièces mécaniques et électriques contenues dans le Produit (« Pièces défectueuses ») durant une période de cinq (5) ans à partir de la Date d'achat. Haier fournira des pièces neuves ou réusinées ou, à sa seule discrétion, un remplacement de l'ensemble ou d'une partie de l'appareil, à votre technicien-installateur en chauffage, ventilation et climatisation agréé. Cette garantie couvre aussi tous les vices de matière et de fabrication du contrôleur de l'appareil durant une période de 1 an. La télécommande et le module WiFi sont couverts par la garantie des accessoires d'un an. Le système sans conduit est couvert par une garantie standard. Haier fournira un contrôleur neuf ou remis à neuf, à sa seule discrétion.
Garantie de 7 ans sur le compresseur	Le compresseur contenu dans ce produit est garanti durant une période de sept (7) ans à partir de la Date d'achat. Haier fournira un compresseur neuf ou réusiné ou, à sa seule discrétion, un remplacement de l'ensemble ou d'une partie de l'appareil, à votre technicien-installateur en chauffage, ventilation et climatisation agréé.

## QUELLE EST LA DATE D'ACHAT :

La « Date d'achat » est la date à laquelle l'installation d'origine a été complétée et toutes les procédures de mise en service du Produit ont été correctement exécutées et vérifiées d'après la facture de l'installateur. Si la date de l'installation ne peut pas être vérifiée, alors la Date d'achat tombera soixante (60) jours suivant la date de fabrication, telle que déterminée par le numéro de série du Produit. Vous devez conserver et être en mesure de fournir votre ticket de caisse d'origine de l'installateur comme preuve de la Date d'achat. Pour une nouvelle construction, la Date d'achat sera celle à laquelle le propriétaire a acquis sa résidence du constructeur.

## QUI EST COUVERT :

Occupant(s) propriétaire(s) : Le « Propriétaire initial » de ce produit, c'est-à-dire le propriétaire initial (et son épouse ou époux) de la résidence où le Produit a été installé initialement. Sous réserve de la loi de l'État ou la province où le Produit a été installé, cette garantie n'est pas transférable aux propriétaires subséquents ni si le Produit a été déplacé dans une résidence différente après l'installation initiale. Occupant(s) non propriétaire(s) : Cette garantie couvre le Produit 1) installé dans a) un immeuble résidentiel unifamilial ou multifamilial d'occupant(s) non-propriétaire(s), ou b) un immeuble commercial non industriel, (tels que immeubles de bureaux, établissements de vente au détail, hôtels/motels) où le Produit n'est pas exposé à une atmosphère corrosive ou à des niveaux élevés de particules (telles que suie, aérosols, vapeurs, graisse), et 2) si le Produit fait l'objet d'un entretien annuel par un technicien en chauffage, ventilation et climatisation agréé (preuve d'entretien annuel requise). Le « Propriétaire initial » de ce Produit, c'est-à-dire le propriétaire initial de l'immeuble où le Produit a été installé initialement. Pour une nouvelle construction, l'acheteur de l'immeuble du constructeur sera aussi considéré comme le Propriétaire initial. Cette garantie n'est pas transférable aux propriétaires subséquents ni si le Produit a été déplacé à un emplacement différent après l'installation initiale.

## COMMENT OBTENIR UN SERVICE D'INSTALLATION OU DE RÉPARATION :

Communiquez avec votre technicien-installateur en chauffage, ventilation et climatisation agréé. Tous les services d'installation et de réparation doivent être réalisés par un technicien en chauffage, ventilation et climatisation agréé.

L'omission de recourir à un technicien en chauffage, ventilation et climatisation agréé pour l'installation de ce Produit annule toute garantie sur ce Produit.

## ESTA GARANTÍA NO CUBRE

- Les dommages résultant d'une installation incorrecte.
- Les dommages survenus pendant l'expédition.
- Les vices qui ne sont pas attribuables à la fabrication (c.-à-d. matière et main-d'œuvre).
- Les dommages résultant d'un mauvais usage, d'un abus, d'un accident, d'une modification, d'un manque de soins appropriés et/ou d'un entretien régulier, ou d'un courant électrique incorrect.
- Les dommages résultant d'une inondation, d'un incendie, du vent, de la foudre, d'un accident ou de conditions similaires.
- Les dommages résultant d'une installation ou d'autres services réalisés par une personne qui n'est pas un technicien en chauffage, ventilation et climatisation agréé.
- La main-d'œuvre et les services connexes pour la réparation ou l'installation du Produit.
- Un Produit acheté auprès d'un revendeur en ligne.
- Les dommages résultant de l'exposition du Produit à une atmosphère qui comporte des substances corrosives ou des niveaux élevés de particules (telles que suie, aérosols, vapeurs, graisse).
- Un Produit vendu et/ou installé à l'extérieur des cinquante (50) États des États-Unis, du district de Columbia ou du Canada.
- Les piles du contrôleur et des autres accessoires fournis avec le Produit pour l'installation (p.ex. flexible en plastique).
- L'entretien normal tel que le nettoyage des serpentins et des filtres et la lubrification.
- Un Produit installé dans un immeuble occupé par de(s) non propriétaire(s) s'il n'a pas fait l'objet d'un entretien annuel par un technicien en chauffage, ventilation et climatisation agréé (preuve requise).

Agrafez votre reçu ici. Une preuve de la date d'achat originale est nécessaire pour obtenir un service sous garantie

# Garantie limitée

---

## **GARANTIE LIMITÉE ENREGISTRÉE STANDARD DE 10 ANS**

---

Tous les « Produits intérieurs et extérieurs » identifiés dans l'Annexe 1, enregistrés par l'installateur ou le Propriétaire initial dans un délai de soixante (60) jours à partir de la Date d'achat, recevront une Garantie limitée enregistrée standard qui sera identique à la Garantie de base standard, excepté que la période de la Garantie limitée sur les pièces et la Garantie limitée sur le compresseur sera de dix (10) ans. Tout Produit non enregistré dans un délai de soixante (60) jours à partir de la date d'achat sera assujéti à la Garantie de base standard. Certains États et provinces ne permettent pas que les périodes de la garantie soient assujétiées à l'enregistrement; dans ces États et provinces, ce sont les périodes plus longues de la Garantie limitée sur les pièces et la Garantie limitée sur le compresseur qui s'appliquent.

---

**CETTE GARANTIE LIMITÉE SE SUBSTITUE À TOUTE AUTRE GARANTIE, EXPRESSE OU IMPLICITE, Y COMPRIS TOUTE GARANTIE RELATIVE À LA QUALITÉ MARCHANDE OU L'ADÉQUATION À UN USAGE PARTICULIER.**

---

Le recours autorisé dans cette garantie est exclusif et il est accordé en remplacement de tout autre recours. Cette garantie ne couvre pas les dommages accessoires ou indirects. Certains États ou provinces ne permettent pas l'exclusion des dommages accessoires ou indirects, donc cette limitation peut ne pas s'appliquer à vous. Certaines États ou provinces ne permettent pas de limiter la durée d'une garantie implicite, donc cette limitation peut ne pas s'appliquer à vous. Cette garantie vous accorde des droits particuliers et il peut exister d'autres droits qui varient selon l'État ou la province. Cette garantie couvre les appareils dans les cinquante (50) États des États-Unis, du district de Columbia ou du Canada Cette garantie est attribuée par GE Appliances a Haier company, Louisville, KY 40225.

---

## **ANNEXE 1**

---

Le «produit» est défini comme étant les unités divisées sans conduits de la marque Haier. Le «Produit» comprend 2 sous-catégories de produits: «Produits d'intérieur et d'extérieur» et «Produits d'installation sélectionnés», définis plus en détail ci-après: «Produits d'intérieur et d'extérieur» peut également être identifié par les descriptions de numéro de modèle suivantes: 1U \*, 2U \*, 3U \*, 4U \*, AB \*, AD \*, AL \*, AM \*, AW \*, AF \*, MVA \* MVH \* «Produits d'installation choisis», identifiés par les descriptions de numéro de modèle suivantes: PB- \* FQG - \*, AH1- \* , MS1- \* et MS3- \*

# Índice

---

INFORMACIÓN IMPORTANTE DE SEGURIDAD .....	28
INSTRUCCIONES DE INSTALACIÓN .....	29
Paso 1 .....	33
Paso 2 .....	34
Paso 3 .....	36
Paso 4 .....	36
GARANTÍA LIMITADA .....	37

# INFORMACIÓN IMPORTANTE DE SEGURIDAD

## LEA TODAS LAS INSTRUCCIONES ANTES DE USAR ESTE ELECTRODOMÉSTICO

### ⚠ ADVERTENCIA

Para su seguridad, siga las instrucciones de este manual a fin de minimizar riesgos de incendio, descargas eléctricas o lesiones personales.

- Use este equipo sólo para su propósito original, como se describe en el Manual del Usuario.
- Este acondicionador de aire deberá ser instalado de forma apropiada de acuerdo con las Instrucciones de Instalación antes de su uso.
- Todo el cableado deberá ser adecuado al valor de la corriente que figura en la placa de calificación. Use cables de cobre únicamente.
- Todo el trabajo eléctrico deberá ser completado por un electricista calificado con los códigos de construcción locales y nacionales.
- Todo el servicio técnico deberá ser realizado por un individuo calificado.

**Si es necesario realizar un servicio que requiere el ingreso al sistema de refrigeración sellada, las regulaciones federales requieren que el trabajo sea realizado por un técnico que posea una certificación Clase II o Universal.**

- Todos los acondicionadores de aire contienen refrigerantes, los cuales de acuerdo con la ley federal deben ser retirados antes de deshacerse del producto. Si se deshará de un producto viejo que posee refrigerantes, consulte a la compañía a cargo del manejo de productos descartados.
- Estos sistemas de acondicionadores de aire R-410A requieren que los contratistas y técnicos usen herramientas, equipos y estándares de seguridad aprobados para su uso con este refrigerante. NO use equipamiento certificado sólo para el refrigerante R22.

### ⚠ ADVERTENCIA

**RIESGO DE DESCARGA ELÉCTRICA. Puede ocasionar lesiones o la muerte.**

- La conexión a tierra es esencial antes de realizar la conexión al suministro de corriente.
- Desconecte todos los suministros eléctrica remotos antes de realizar el servicio técnico.
- Repare o reemplace de inmediato todos los cables de corriente pelados o con cualquier tipo de daño. No use cables que presenten cortaduras o daños por abrasión sobre su extensión o extremos.

### ⚠ ADVERTENCIA

**RIESGO DE INCENDIO. Puede ocasionar lesiones o la muerte.**

- No guarde ni use materiales combustibles, gasolina u otros vapores inflamables y líquidos cerca de éste o de otros electrodomésticos.

## LEA Y GUARDE ESTAS INSTRUCCIONES

# Instrucciones de Instalación

PARA ACCEDER A MÁS AYUDA, VISITE [HAIERAPPLIANCES.COM/DUCTLESS](http://HAIERAPPLIANCES.COM/DUCTLESS) O [GEAPPLIANCES.COM/DUCTLESS](http://GEAPPLIANCES.COM/DUCTLESS)

## ANTES DE COMENZAR

Lea estas instrucciones en su totalidad y atentamente.

- **IMPORTANTE** – Conserve estas instrucciones para uso del inspector local.
- **IMPORTANTE** – Cumpla con todos los códigos y ordenanzas gubernamentales.
- **Nota para el Instalador** – Asegúrese de que el Comprador conserve estas instrucciones.
- **Nota para el Comprador** – Conserve estas instrucciones para referencia futura.
- **Nivel de habilidad** – La instalación de este sistema de acondicionador de aire split deberá ser realizada por un técnico licenciado y certificado (para manejar refrigerante R-410A, recuperación, etc.) y por un electricista.
- Use el elevador de equipo para montar la unidad canalizada.
- La correcta instalación del producto es responsabilidad del instalador.
- Si se producen fallas en el producto debido a una instalación inadecuada, la Garantía no cubrirá las mismas.
- Para su seguridad personal, este sistema deberá estar correctamente conectado a tierra.
- Los dispositivos de protección (fusibles o disyuntores) aceptables para la instalación aparecen especificados en la placa de cada unidad.
- Para cualquier reparación que requiera el ingreso al sistema de refrigeración sellada, las regulaciones federales solicitan que el trabajo sea realizado por un técnico que posea una certificación Clase II o Universal.

## ⚠ PRECAUCIÓN

- No use un prolongador con este sistema.
- Los cables para construcciones de aluminio pueden presentar problemas especiales – consulte a un electricista calificado.

# Instrucciones de Instalación: Listado de Materiales

## Herramientas Requeridas para la Instalación

- Llave de 17mm, 22mm, 26mm o Ajustable
- Destornillador Phillips nº2
- Taladro
- Abocardador R-410A Aprobado
- Llave Hexagonal
- Sierra de Agujero de 2 ¼"
- Nivel
- Calibrador de Colector
- Cinta de Medición
- Medidor de Micrones
- Adaptador para Mini Split (5/16"F a 1/4"M)
- Nitrógeno\*
- Cortatubos
- Cuchillo con Filo
- Escariador
- Sellador, no expansible (apertura de línea)
- Solución de fugas HVAC o detector de fugas de refrigerante
- Detector de montantes
- Llave Dinamométrica y Llave de Respaldo
- Bomba de Vacío
- Pelacables
- Balanza de Refrigerante
- Herramientas manuales HVAC de uso corriente

## Suministrado con la Unidad

- Tubería de conexión para elementos condensados
- Abrazadera
- Tuercas abocardadas (2)
- Controlador cableado YR-E17
- Cable de 15 pies
- Aislante

## Suministrado por el Instalador

- Tubería de cobre aislada
- Cable de cobre trenzado de 14/4 (calibre 14 – 4 conductores)
- PVC de 3/4 de pulgada para condensados
- Aislante para el drenaje de condensados
- Varilla roscada de 3/8, arandelas y tuercas
- Refrigerante R410A

Modelo	Líquido (pulgadas)	Vapor (pulgadas)
AD07SL2VH (B)	1/4	3/8
AD09SL2VH (B)	1/4	3/8
AD12SL2VH (B)	1/4	3/8
AD18SL2VH (B)	1/4	1/2

## Información de Productos con Conductos

La unidad interior con conducto es enviada con un controlador remoto cableado.

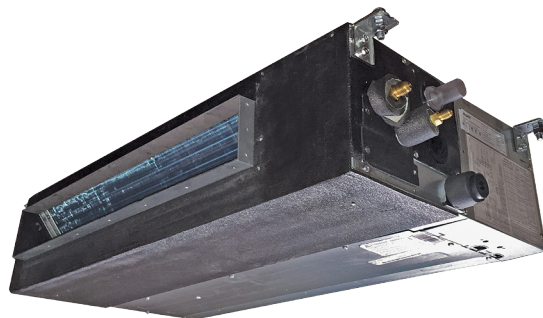
La unidad con Conducto se deberá instalar sobre el cielorraso o en un área con soffito. Se deberá montar usando varillas roscadas que se adapten a soportes ubicados en las cuatro esquinas del ensamble con gabinete.

La unidad del conducto delgado cuenta con una bomba de condensación incorporada y un interruptor flotante para evitar una situación de desborde y mantener un funcionamiento confiable. En la bolsa de accesorios se encuentra incluido un empalme de condensación aislado. Este empalme conecta la salida del drenaje condensado de la unidad con la tubería de drenaje suministrada.

Al realizar conexiones con la tubería de refrigerante, siempre use tuercas abocardadas provistas con este equipamiento. Las conexiones de la tubería de refrigerante deberán estar envueltas con cinta aislante en la unidad, a fin de evitar su transpiración.



Controlador Cableado YR-E17  
Para más información,  
consulte el manual del  
controlador cableado.

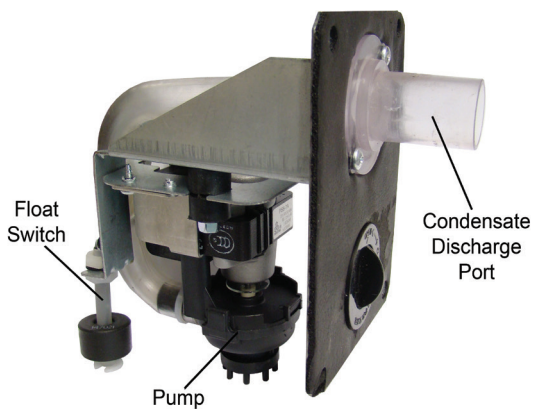


# Instrucciones de Instalación: Introducción y Descripción General

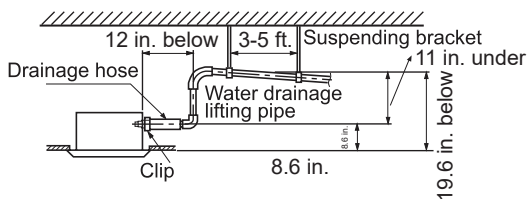
## Manejo de la Condensación

La unidad con Conducto cuenta con una bomba de condensación y un interruptor de seguridad del nivel del agua. También cuenta con dos puertos opcionales para el desagüe por gravedad. La bomba de condensación está calificada para elevar agua hasta 27" desde el punto de descarga de la unidad con Conducto. (Este número puede variar).

La unidad con Conducto cuenta con una manguera de conexión gris y una abrazadera. Esta manguera está conectada al puerto de la manguera de descarga de condensados. El otro extremo de la manguera posee un tamaño que acepta tuberías de PVC de 3/4 de pulgada.



Aquí figuran las configuraciones recomendadas para tuberías de condensados:



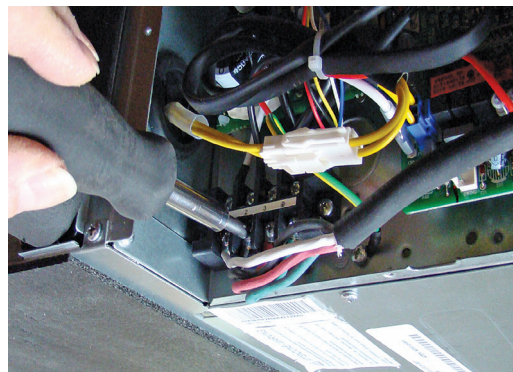
## Corriente Eléctrica

Cumpla con todos los códigos y regulaciones locales al instalar el cableado eléctrico.

Realice el recorrido de la corriente eléctrica requerida hasta el área donde la unidad con Conducto será ubicada. Mantenga por lo menos 10 pies de separación entre los cableados de TV, Radio y otros cableados de comunicación y la corriente hasta la unidad interior.

Se deberá usar un cable trenzado de calibre 14 para realizar el enlace entre la conexión eléctrica y la comunicación entre la unidad interior y exterior.

El cableado se encuentra conectado a los tornillos 1, 2, 3 y tierra de los bloques terminales eléctricos de la unidad interior. No deberá haber empalmes en los cables que se encuentran entre la unidad interior y exterior, ya que sirven como cables de señal de comunicación y como conexiones de corriente eléctrica. Cualquier accesorio añadido para cortar la corriente en la sección interior deberá interrumpir la terminal Número 2 únicamente.



## Espacios Libres de Entrada de Aire

Asegúrese de contar con espacios libres adecuados alrededor de la unidad con Conducto.

Los espacios libres inadecuados podrán ocasionar problemas sobre el funcionamiento del sistema y el control de la temperatura.

## Espacios Libres para el Servicio Técnico y el Mantenimiento

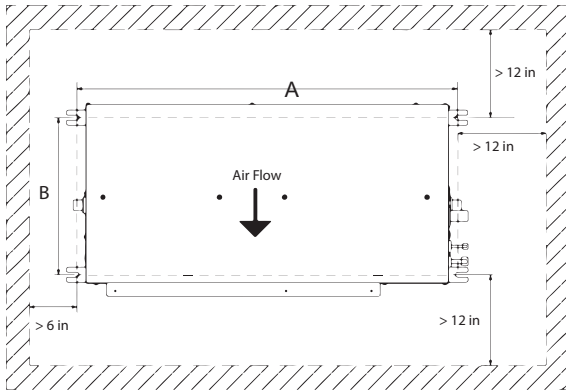
Asegúrese de contar con espacios libres adecuados para un futuro mantenimiento y acceso del servicio técnico. Deje suficiente espacio para acceder al ensamble de la bomba de condensación y la caja de control eléctrico.



# Instrucciones de Instalación

## DESPEJES MÍNIMOS (El aspecto puede variar)

Esta imagen sólo sirve como referencia. El aspecto de su producto podrá ser diferente. Lea el manual antes de realizar la instalación. Explique el funcionamiento de la unidad al usuario, de acuerdo con este manual.



Modelo	A- Pulgadas (mm)	B- Pulgadas (mm)
AD07SL2VHA	35 1/8 (892)	14 1/2 (369)
AD07SL2VHB	35 1/8 (892)	14 1/2 (369)
AD09SL2VHA	35 1/8 (892)	14 1/2 (369)
AD09SL2VHB	35 1/8 (892)	14 1/2 (369)
AD12SL2VHA	35 1/8 (892)	14 1/2 (369)
AD12SL2VHB	35 1/8 (892)	14 1/2 (369)
AD18SL2VHA	47 3/4 (1213)	14 1/2 (369)
AD18SL2VHB	47 3/4 (1213)	14 1/2 (369)

## Paso 1 – Préparation

### A. Procedimiento para seleccionar la ubicación:

- Colocar sobre el cielorraso o en un área de soffito donde haya suficiente espacio para posicionar la unidad.
- Colocar donde la tubería de drenaje pueda ser posicionada correctamente.
- Colocar donde el aire entrante y saliente de la unidad interior no estará bloqueado.
- No instale la unidad en un lugar muy engrasado o con mucha humedad (por ejemplo: cocina y talleres).
- No realice la instalación en una ubicación donde se use o guarde gas destructivo (tal como gas con ácido sulfúrico) o gas penetrante (solvente y gasolina).
- Elija un espacio que sea lo suficientemente sólido

como para soportar el peso de la unidad y donde el movimiento del aire no se vea obstaculizado. El lugar también debe ser lo suficientemente sólido como para amortiguar la vibración de la unidad y cancelar el ruido operativo.

- Coloque la unidad en una ubicación que no afecte de forma adversa a los ocupantes, los componentes de la edificación o posesiones valiosas.
- Deje suficiente espacio para el mantenimiento.
- Realice la instalación a por lo menos 3 pies de distancia de fuentes que puedan crear interferencia electrónica.

#### NOTAS:

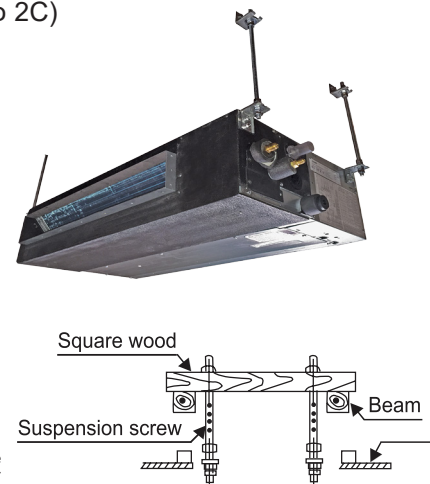
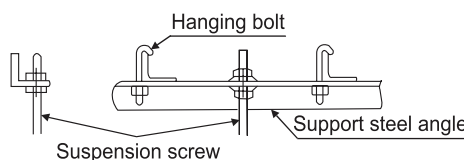
- El R-410A es un refrigerante seguro, no tóxico y no inflamable. Sin embargo, si existe la preocupación de que haya concentración de refrigerante en el caso de pérdidas, cuente con ventilación adicional.

### B. Información sobre el Montaje de la Varilla:

La unidad con Conducto deberá ser montada sobre la estructura de la edificación usando varillas roscadas. Las varillas roscadas deberán contar con arandelas y tuercas, a fin de permitir que la altura y el nivel de la unidad con Conducto sean ajustados. Las varillas roscadas y los soportes de adhesión son ítems suministrados. Los materiales requeridos para el montaje de los soportes sobre la unidad con Conducto incluyen:

- Varillas Roscadas de 4 3/8"
- 4 Soportes de Montaje
- Arandelas
- Tuercas (mostradas dos

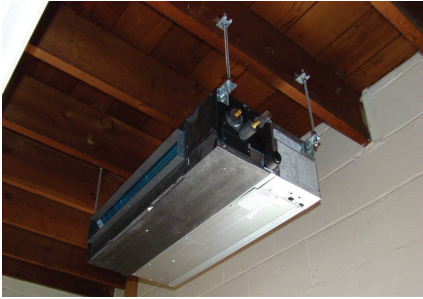
veces en el paso 2C)



# Instructions d'installation

## Paso 2 - Montaje de la unidad

- A.** Determine y marque la posición donde la unidad con Conducto será instalada. Instale el equipamiento para montar las varillas roscadas. Siempre seleccione una ubicación lo suficientemente fuerte como para sostener la peso.



- B.** Instale las varillas roscadas al equipamiento adherido a la estructura.



- C.** Levante la unidad canalizada y coloque las varillas roscadas en los cuatro pies de montaje en cada esquina.



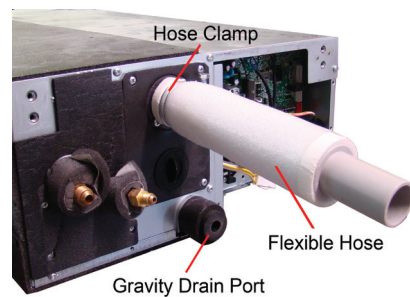
- D.** Usando un nivel, ajuste las tuercas sobre las varillas roscadas a fin de obtener las lecturas de los niveles tanto de lado a lado como del frente hasta la parte trasera.



- E.** Se deberán escariar las partes interior y exterior de la tubería de refrigerante donde se haya realizado un corte. Tome todas las precauciones a fin de asegurar que las astillas del cobre escariado no se alojen dentro de la tubería. Instale las tuercas abocardadas suministradas de fábrica en la tubería de refrigerante usando un abocardador R-410A ÚNICAMENTE. Aplique una pequeña cantidad de aceite refrigerante sobre la parte trasera de los espacios abocardados y trenzados. Ajuste los espacios abocardados con una llave dinamométrica y una llave de respaldo, siguiendo las especificaciones que figuran en el Manual de Instalación de la unidad exterior.



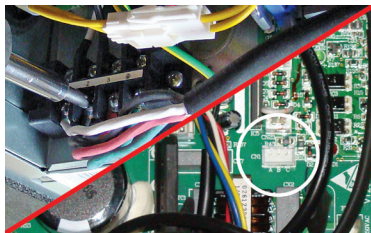
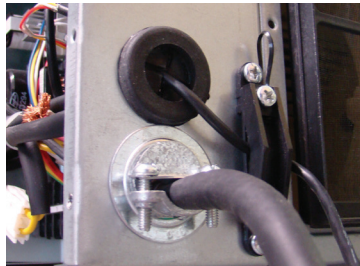
- F.** Conecte la manguera de desagüe flexible gris suministrada a la tubería de descarga de la bomba de condensación. Ajuste la abrazadera de forma segura. Utilizando una tubería de PVC de 3/4", conecte la manguera flexible al sistema de desagüe de condensados de la edificación.



# Instructions d'installation

## Paso 2 - Montaje de la unidad (Cont.)

**G.** Realice el recorrido del cable de corriente/ comunicación trenzado de 4 conductores y el cable con cableado remoto hasta el controlador de aire. Utilice arandelas de reducción y un conector apropiado para adherir el cable de corriente/ comunicación a la unidad. El cable con cableado remoto ingresará a la unidad a través de una arandela aislante de goma. El cable con 4 conductores se conecta al bloque terminal en las terminales 1, 2, 3 y tierra. El cable con cableado remoto se conecta al tablero principal del controlador de aire a través del conector CN1. Vuelva a instalar la tapa de la caja eléctrica.



### H. DIP Switch Settings (cont.)

SW1-6: Activar/ Desactivar la Tarjeta de la Sala	
Activar la Tarjeta de la Sala	ENCENDIDO
Desactivar la Tarjeta de la Sala	APAGADO

SW1-4, SW1-5: Presión Estática Externa		
0"WC.	APAGADO	APAGADO
.04"WC	APAGADO	ENCENDIDO
.08"WC	ENCENDIDO	APAGADO
.16"WC	ENCENDIDO	ENCENDIDO

SW3-1, SW3-2, SW3-3, SW3-4: Direccionamiento				
Dirección	SW3-1	SW3-2	SW3-3	SW3-4
Unidad Interior Principal	APAGADO	APAGADO	APAGADO	APAGADO
Subordinado 1	ENCENDIDO	APAGADO	APAGADO	APAGADO
Subordinado 2	APAGADO	ENCENDIDO	APAGADO	APAGADO
Subordinado 3	ENCENDIDO	ENCENDIDO	APAGADO	APAGADO
Subordinado 4	APAGADO	APAGADO	ENCENDIDO	APAGADO
Subordinado 5	ENCENDIDO	APAGADO	ENCENDIDO	APAGADO
Subordinado 6	APAGADO	ENCENDIDO	ENCENDIDO	APAGADO
Subordinado 7	ENCENDIDO	ENCENDIDO	ENCENDIDO	APAGADO
Subordinado 8	APAGADO	APAGADO	APAGADO	ENCENDIDO
Subordinado 9	ENCENDIDO	APAGADO	APAGADO	ENCENDIDO
Subordinado 10	APAGADO	APAGADO	APAGADO	ENCENDIDO
Subordinado 11	ENCENDIDO	APAGADO	APAGADO	ENCENDIDO
Subordinado 12	APAGADO	ENCENDIDO	ENCENDIDO	ENCENDIDO
Subordinado 13	ENCENDIDO	ENCENDIDO	ENCENDIDO	ENCENDIDO
Subordinado 14	APAGADO	ENCENDIDO	ENCENDIDO	ENCENDIDO
Subordinado 15	ENCENDIDO	ENCENDIDO	ENCENDIDO	ENCENDIDO

SW1-7, SW1-8: Region		
	SW1-7	SW1-8
CONDUCTO DELGADO (AMÉRICA)	APAGADO	ENCENDIDO

### H. Configuraciones del Interruptor DIP

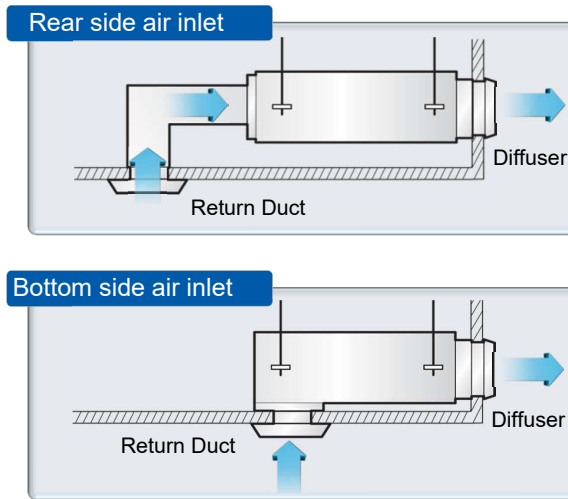
Luego de adherir el cable de cobre trenzado al bloque terminal, se deberá controlar el banco de interruptores DIP en el PCB. Es necesario controlar que todos los interruptores se encuentren en la posición correcta, incluyendo la configuración de presión estática externa suministrada, de acuerdo con la siguiente tabla.

SW1-1, SW1-2, SW1-3: Capacidad			
BTU de la Unidad Interior	SW1-1	SW1-2	SW1-3
6K	APAGADO	APAGADO	APAGADO
9K	ENCENDIDO	APAGADO	APAGADO
7K	ENCENDIDO	APAGADO	APAGADO
12K	OFF	ENCENDIDO	APAGADO
48K	ENCENDIDO	ENCENDIDO	APAGADO
18K	APAGADO	APAGADO	ENCENDIDO
24K	ENCENDIDO	APAGADO	ENCENDIDO
28K	APAGADO	ENCENDIDO	ENCENDIDO
36K	ENCENDIDO	ENCENDIDO	ENCENDIDO

# Instructions d'installation

## Paso 2 - Montaje de la unidad (Cont.)

H. La unidad está ahora preparada para la conexión de la tubería. El conducto de retorno de aire podrá ser configurado como una entrada trasera o como una entrada inferior.

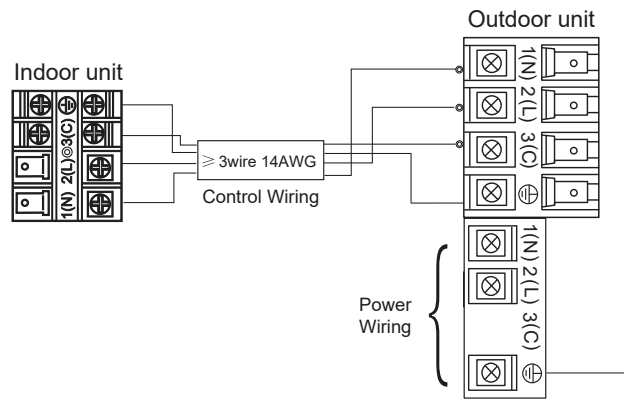


## Paso 3 - Conexiones Eléctricas

### Conexiones Eléctricas de las Unidad Interior y Exterior

Cable de cobre trenzado 14AWG únicamente. (No se Utiliza un Controlador Central)

Deje una distancia de 10 pies con relación al cableado de TV, Radio o cualquier otro cableado de comunicación.



**NOTA:** La unidad del Conducto Delgado es enviada con el controlador cableado YR-E17. Para más información, consulte el Manual de Instalación y Uso del Controlador Cableado

## Étape 4 - Evaluación de Pérdidas y Evacuación

Para acceder al procedimiento recomendado, consulte la sección exterior del Manual de Instalación.

# Garantía limitada

Para los modelos de los productos que figuran en el Adjunto 1 (el "Producto"), esta Garantía Estándar Limitada es provista al Dueño Original del Producto:

Por el período de:	GE Appliances, a Haier company reemplazarán:
Garantía limitada de piezas de 5 años desde la fecha de compra	Esta garantía cubre todos los defectos de fabricación o de los materiales de las piezas mecánicas y eléctricas pertenecientes al Producto ("Piezas Defectuosas") durante un período de 5 años desde la Fecha de Compra. Haier le proveerá piezas nuevas o reparadas, o el reemplazo de toda o parte de la unidad, a su propia discreción, a su técnico de instalación con licencia de HVAC. Esta garantía también cubre todos los defectos de fabricación o de los materiales del control de la unidad durante un período de 1 año. El control remoto y el módulo WiFi están cubiertos por 1 año de garantía de accesorios. El sistema sin ductos está cubierto por la garantía estándar. Haier proporcionará un controlador nuevo o renovado, a su exclusivo criterio.
Garantía del compresor de 7 años a partir de la fecha de la compra original.	El compresor perteneciente a este producto posee garantía por un período de 7 años desde la Fecha de Compra. Haier le proveerá un compresor nuevo o uno reparado, o el reemplazo de toda o parte de la unidad, a su propia discreción, a su técnico de instalación con licencia de HVAC.

## CUÁL ES LA FECHA DE COMPRA

La "Fecha de Compra" es la fecha en que la instalación original fue completada y todos los procedimientos de inicio del Producto fueron adecuadamente completados y verificados en la factura del instalador. Si la fecha de instalación no puede ser verificada, entonces la Fecha de Compra será de sesenta (60) días luego de la fecha de fabricación, de acuerdo con lo determinado por el número de serie del Producto. Usted deberá guardar y poder brindar su recibo de venta original entregado por el instalador como prueba de la Fecha de Compra. En una edificación nueva, la Fecha de Compra será la fecha en que el dueño le compró la residencia al constructor.

## QUIÉN ESTÁ CUBIERTO

Ocupado por el dueño: El "Dueño Original" de este producto, lo cual significa el dueño original (y su cónyuge) de la residencia donde el Producto fue originalmente instalado. Sujeto a la ley del estado o provincia donde el Producto fue instalado, esta garantía no es transferible a dueños subsiguientes o si el Producto es trasladado a una residencia diferente luego de su instalación inicial. Ocupado por alguien que no es el dueño: Esta garantía es provista para el Producto 1) instalado en a) construcciones residenciales ocupadas por una familia o varias familias que no son dueñas, o b) aplicaciones comerciales no industriales, (tales como edificios de oficinas, establecimientos minoristas, hoteles/ moteles) donde el Producto no está sujeto a un ambiente con elementos corrosivos o altos niveles de partículas (tales como hollín, aerosoles, humos, grasa), y 2) si el producto es mantenido anualmente por un técnico con licencia de HVAC (se requiere prueba de mantenimiento anual). El "Dueño Original" del producto se refiere al dueño original de la edificación donde el producto fue instalado originalmente. En el caso de construcciones nuevas, quien le compró la edificación al constructor también será considerado un Dueño Original. Esta garantía no es transferible a dueños subsiguientes o si el producto es trasladado a una ubicación diferente luego de la instalación inicial.

## CÓMO ACCEDER AL SERVICIO TÉCNICO

CoComuníquese con su técnico instalador con licencia de HVAC. Toda la instalación y el servicio deberán ser realizados por un técnico con licencia de HVAC. Si no se solicita el servicio de un técnico con licencia de HVAC para la instalación de este Producto, se anulará toda la garantía sobre este Producto.

## ESTA GARANTÍA NO CUBRE

- Daños por una instalación inadecuada.
- Daños durante el envío.
- Defectos que no sean de fabricación (es decir: fabricación o materiales).
- Daño por uso inadecuado, abuso, accidente, alteración, falta de cuidado adecuado y/o mantenimiento regular, o voltaje o corriente eléctrica incorrecta.
- Daño resultante de inundaciones, incendios, viento, iluminación, accidentes o condiciones similares.
- Daños de instalación u otros servicios realizados por otra persona que no sea el técnico con licencia de HVAC.
- Trabajo o servicios relacionados con la reparación o instalación del Producto.
- Un Producto comprado a un vendedor minorista a través de Internet.
- Daño como resultado de exponer el Producto a un ambiente con materiales corrosivos o altos niveles de partículas (tales como hollín, aerosoles, gases, grasa).
- Un Producto vendido y/o instalado fuera de los 50 Estados Unidos, el Distrito de Columbia o Canadá.
- Baterías del control remoto u otros accesorios provistos con el Producto para su instalación (por ejemplo: manguera plástica).
- Mantenimiento normal, tal como limpieza de bobinas, limpieza de filtros, y lubricación.
- En el caso de un Producto instalado en aplicaciones ocupadas por personas que no son dueños, un Producto que no haya sido mantenido anualmente por un técnico con licencia de HVAC (prueba requerida)..

Grapa tu recibo aquí. Se necesita comprobante de la fecha de compra original para obtener servicio bajo la garantía

# Garantía limitada

---

---

## GARANTÍA LIMITADA ESTÁNDAR REGISTRADA POR 10 AÑOS

---

Todos los "Productos de Interior y Exterior", identificados en el Adjunto 1, registrados por el instalador o el Dueño Original dentro de los 60 días desde la Fecha de Compra recibirán una Garantía Limitada Estándar Registrada, la cual será idéntica a la Garantía Estándar Base, excepto que la Garantía de Piezas Limitada tendrá validez por el término de 10 Años y la Garantía Limitada del Compresor será por un término de 10 años. Cualquier Producto que no sea registrado dentro de los 60 días desde la Fecha de Compra estará sujeto a la Garantía Estándar Base. Algunos estados y provincias no permiten que los términos de las garantías estén sujetos a un registro; en dichos estados y provincias se aplican los términos más prolongados para la Garantía Limitada de Piezas y la Garantía Limitada del Compresor.

---

## ESTA GARANTÍA LIMITADA REEMPLAZA A CUALQUIER OTRA GARANTÍA, EXPRESA O IMPLÍCITA, INCLUYENDO LAS GARANTÍAS DE COMERCIABILIDAD O IDONEIDAD PARA UN PROPÓSITO PARTICULAR.

---

La solución provista en esta garantía es exclusiva y es garantizada en lugar de todas las demás soluciones. Esta garantía no cubre daños incidentales o consecuentes. Algunos estados y provincias no permiten la exclusión de daños incidentales o consecuentes, de modo que es posible que esta limitación no se aplique en su caso. Algunos estados y provincias no permiten limitaciones en relación a la duración de una garantía implícita, de modo que es posible que esta limitación no se aplique en su caso. Esta garantía le da derechos legales específicos y es posible que tenga otros derechos legales que varían entre estados y provincias. Esta garantía cubre las unidades que se encuentran dentro de los 50 Estados Unidos, el Distrito de Columbia y Canadá. Esta garantía es provista por GE Appliances a Haier company, Louisville, KY 40225.

---

### ADJUNTO 1:

---

El "Producto" se define como Unidades Dividless Split de la marca Haier. El "Producto" contiene 2 subcategorías de productos: "Productos para interiores y exteriores" y "Productos de instalación seleccionados", que se definen a continuación: "Productos para interiores y exteriores" pueden identificarse mediante las siguientes descripciones de números de modelo: 1U \*, 2U \*, 3U \*, 4U \*, AB \*, AD \*, AL \*, AM \*, AW \*, AF \*, MVA \* MVH \* "Productos de instalación seleccionados", identificados por las siguientes descripciones de números de modelo: PB- \* FQG - \*, AH1- \*, MS1- \* y MS3- \*