

# Haier

## Submittals

### Arctic Multi Series

Rev. Aug. 2022



#### Outdoor

**2U20EH2VHA**  
**3U24EH2VHA**  
**4U36EH2VHA**

#### Indoor

**AW07LC2VHB**  
**AW09LC2VHB**  
**AW12LC2VHB**  
**AW18LC2VHB**  
**AW24LP2VHA**  
**AW07TC2HDA**  
**AW09TC2HDA**  
**AW12TC2HDA**  
**AW18TC2HDA**  
**AW24TC2HDA**  
**AB09SC2VHA**  
**AB12SC2VHA**  
**AB18SC2VHA**  
**AL24LP2VHA**  
**AD07SL2VHB**  
**AD09SL2VHB**  
**AD12SL2VHB**  
**AD18SL2VHB**  
**AM24LP2VHA**  
**USYM09UCDSA**  
**USYM12UCDSA**  
**USYM18UCDSA**  
**USYM24UCDSA**  
**USYF09UCDWA**  
**USYF12UCDWA**  
**USYF18UCDWA**



**GE APPLIANCES**  
a Haier company

For more information visit us:  
[www.Haierductless.com](http://www.Haierductless.com)  
[www.Haierductlesshelp.com](http://www.Haierductlesshelp.com)



### **Revision History**

**Rev. March 2019** - *Submittal edition release.*

**Rev. May 2019** - *Addition of rated heating performance note; Accessories & electrical requirement update.*

**Rev. Aug. 2019** - *HSPF correction (2U20EH2VHA).*

**Rev. Sept. 2019** - *3U24EH2VHA heating capacity data change.*

**Rev. May 2020** - *Updated to include 4U36EH2VHA, AW24LP2VHA, AL24LP2VHA, AM24LP2VHA, USYM Series, USYF Series.*

**Rev. Aug 2020** - *Correct vapor line size for USYM18UCDSA. Controller updates. Added matching tables.*

**Rev. April 2022** - *Addition of 2022 ID highwall models.*

**Rev. Aug. 2022** - *3U OD diagram update, 18K ID vapor line correction. Controller updates.*

# Haier Matching Tables

## 2U20EH2VHA

Zones	Combinations	
	Unit A	Unit B
TWO ZONES	7K	7K
	7K	9K
	9K	9K
	7K	12K
	9K	12K
	12K	12K

## 3U24EH2VHA

Zones	Combinations		
	Unit A	Unit B	Unit C
TWO ZONE	—	7K	7K
	—	7K	9K
	—	9K	9K
	—	7K	12K
	—	9K	12K
	—	12K	12K
	—	7K	18K
	—	9K	18K
	—	12K	18K
	THREE ZONE	7K	7K
7K		7K	9K
7K		9K	9K
7K		7K	12K
9K		9K	9K
7K		9K	12K
9K		9K	12K
7K		12K	12K
7K		7K	18K
9K		12K	12K

## 4U36EH2VHA

Zones	Combinations				
	Unit A	Unit B	Unit C	Unit D	
TWO ZONE	—	—	9K	18K	
	—	—	12K	18K	
	—	—	7K	24K	
	—	—	9K	24K	
	—	—	12K	24K	
	—	—	18K	18K	
	—	—	24K	18K	
	—	—	24K	24K	
	THREE ZONE	—	9K	9K	9K
		—	7K	9K	12K
—		9K	9K	12K	
—		7K	12K	12K	
—		7K	7K	18K	
—		9K	12K	12K	
—		7K	9K	18K	
—		9K	9K	18K	
—		12K	12K	12K	
—		7K	12K	18K	
FOUR ZONE	—	7K	7K	24K	
	—	9K	12K	18K	
	—	7K	9K	24K	
	—	9K	9K	24K	
	—	12K	12K	18K	
	—	7K	12K	24K	
	—	9K	12K	24K	
	—	12K	12K	24K	
	—	9K	18K	18K	
	—	12K	18K	18K	
THREE ZONE	7K	7K	7K	7K	
	7K	7K	7K	9K	
	7K	7K	9K	9K	
	7K	7K	7K	12K	
	7K	7K	7K	12K	
	7K	7K	9K	9K	
	7K	9K	9K	9K	
	7K	7K	9K	12K	
	7K	7K	9K	12K	
	7K	9K	9K	9K	
	7K	9K	9K	9K	
	7K	9K	9K	12K	
	7K	7K	12K	12K	
	7K	7K	7K	18K	
	9K	9K	9K	12K	
	7K	9K	12K	12K	
	7K	7K	9K	18K	
	9K	9K	12K	12K	
	7K	9K	9K	18K	
	7K	7K	9K	18K	
7K	7K	7K	24K		
9K	9K	9K	18K		
9K	12K	12K	12K		
7K	7K	9K	24K		
9K	9K	12K	18K		
12K	12K	12K	12K		

# Haier Arctic Multi Series Submittal

20000 BTU/HR INVERTER DRIVEN MULTI-ZONE HEAT PUMP SYSTEM

## 2U20EH2VHA

Job Name: \_\_\_\_\_

Purchaser: \_\_\_\_\_

Submitted To: \_\_\_\_\_

Construction: \_\_\_\_\_

Reference: \_\_\_\_\_

Approval: \_\_\_\_\_

Date: \_\_\_\_\_

Submitted By: \_\_\_\_\_

Unit: \_\_\_\_\_

Drawing #: \_\_\_\_\_



### Accessories

#### Wind Baffle

Uses wind baffle UAWB46A

#### Snow Hood

Uses snow hood UAWB80A

### Electrical Requirement

Power Supply	208/230V, 1 Phase, 60 HZ
Operating Voltage Range	187~253 VAC
Recommended Fuse/Breaker Size	25A
MCA	15A

Connecting cable to indoor units must be 14/4 AWG unshielded stranded copper. Cable must be ran continuous, without splicing.

### Operating Range

Cooling	14~115°F (-10~46°C)
Heating	-15~75°F (-26~24°C)

Rated heating performance down to -15°F and continuous operation at -22°F

### Cooling Performance

Cooling Capacity Range (Non-Ducted/Ducted)	7,000~20,000 BTU/ 7,000~19,000 BTU
Rated Power Input (Non-Ducted/Ducted)	1,448/1,481 W
SEER (Non-Ducted/Ducted)	17.0/15.0
EER (Non-Ducted/Ducted)	12.5/10.8

### Heating Performance

Heating Capacity Range (Non-Ducted/Ducted)	8,000~23,000 BTU/ 8,000~21,000 BTU
HSPF (Non-Ducted/Ducted)	9.6/10.5

### Pipe Length

Minimum Pipe Length (Each)	6 ft
Maximum Pipe Length (Each/All)	82 ft / 164 ft
Pre-Charged	100 ft
Additional Charge	0.2 oz/ft
Maximum Pipe Height Difference	50 ft
Flare Connections	Liquid: 1/4", 1/4" Vapor: 3/8", 3/8"

### Outdoor Unit

Compressor	DC inverter Driven Rotary
Uncrated Dimension (HxWxD)	33 x 37 1/4 x 13 1/2 in (840 x 948 x 340 mm)
Crated (HxWxD)	41 1/4 x 41 3/4 x 16 1/2 in (1050 x 1060 x 420 mm)
Outdoor Sound Rating dB	56
Heat Exchanger Fin Type	Blue Fin
Weight (Ship/Net)	202.3/185.6 lbs
Factory Refrigerant Charge	R-410A (99.0 oz)

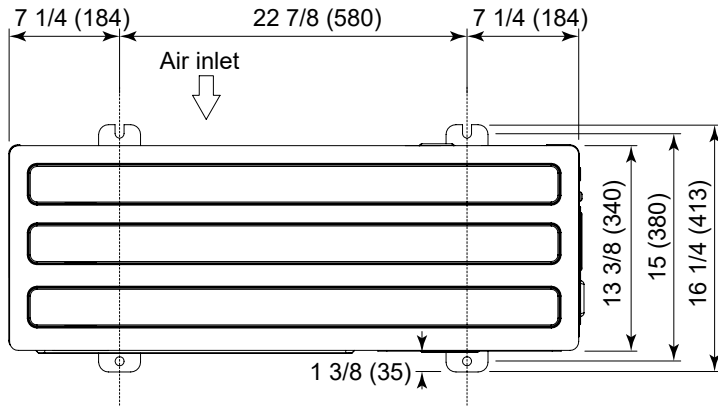


For more information visit us:  
www.Haierductless.com  
www.Haierductlesshelp.com

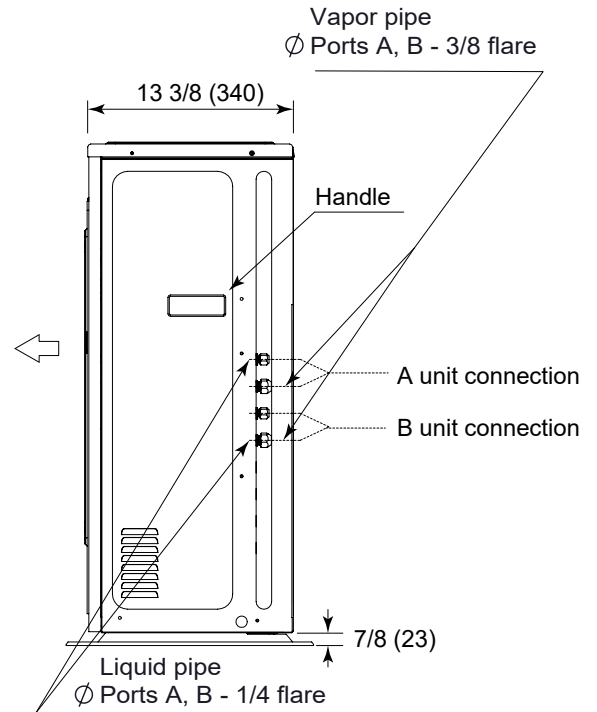
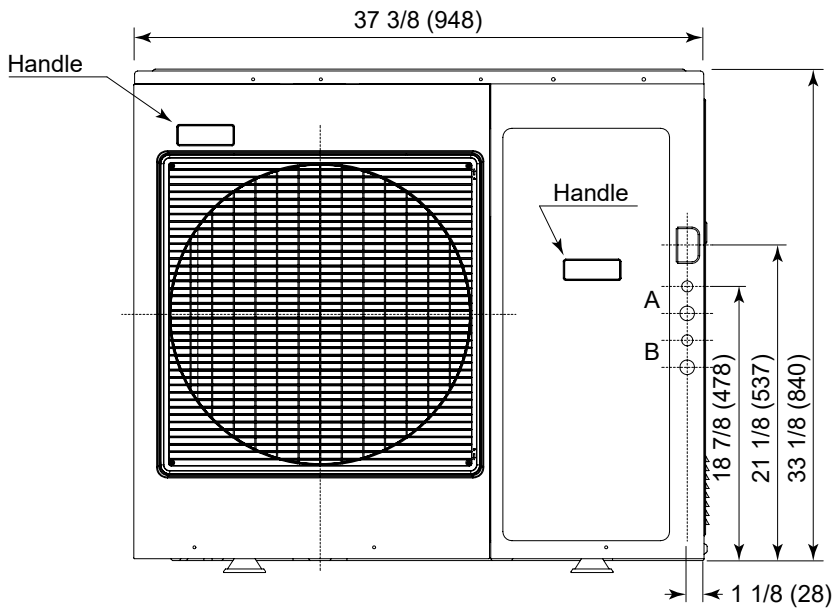


20000 BTU/HR INVERTER DRIVEN MULTI-ZONE HEAT PUMP SYSTEM

## 2U20EH2VHA



Air outlet



20000 BTU/HR INVERTER DRIVEN MULTI-ZONE HEAT PUMP SYSTEM

## 2U20EH2VHA

### Heating Capacity Data - Non Ducted

Outdoor Air Temp DB	Indoor Set Temperature					
	60°F (16°C)		70°F (21°C)		77°F (25°C)	
	Maximum Heating Capacity (Btu/h)	Power Usage (w)	Max Heating Capacity (Btu/h)	Power Usage (w)	Max Heating Capacity (Btu/h)	Power Usage (w)
-15°F (-26°C)	19,320	2,920	17,250	3,190	16,200	3,330
-4°F (-20°C)	23,150	3,010	20,060	3,290	16,700	3,420
5°F (-15°C)	25,600	3,110	23,500	3,350	21,200	3,670
17°F (-8°C)	27,100	3,120	25,360	3,560	22,650	3,730
47°F (8°C)	29,470	3,350	27,890	3,780	25,170	4,030

### Heating Capacity Data - Ducted

Outdoor Air Temp DB	Indoor Set Temperature					
	60°F (16°C)		70°F (21°C)		77°F (25°C)	
	Maximum Heating Capacity (Btu/h)	Power Usage (w)	Max Heating Capacity (Btu/h)	Power Usage (w)	Max Heating Capacity (Btu/h)	Power Usage (w)
-15°F (-26°C)	17,880	3,160	16,310	3,220	15,260	3,280
-4°F (-20°C)	19,930	3,260	18,690	3,310	15,830	3,320
5°F (-15°C)	21,850	3,320	21,000	3,380	19,210	3,710
17°F (-8°C)	25,310	3,560	24,340	3,610	21,030	3,760
47°F (8°C)	26,860	3,680	25,890	3,820	23,460	4,130

### Cooling Capacity Data - Non Ducted

Outdoor Air Temp DB	Indoor Set Temperature					
	70°F (21°C)		75°F (24°C)		80°F (27°C)	
	Total Capacity (Btu/h)	Power Usage (w)	Total Capacity (Btu/h)	Power Usage (w)	Total Capacity (Btu/h)	Power Usage (w)
14°F (-10°C)	7,560	720	9,160	810	10,320	890
65°F (18°C)	17,840	980	19,560	1,040	20,520	1,070
75°F (24°C)	16,630	990	19,010	1,110	20,030	1,150
85°F (29°C)	15,260	1,020	18,690	1,230	19,670	1,290
95°F (35°C)	15,091	1,260	18,230	1,430	19,020	1,466
105°F (41°C)	14,860	1,390	16,510	1,490	17,830	1,590
115°F (46°C)	11,580	1,250	14,870	1,540	15,856	1,620

### Cooling Capacity Data - Ducted

Outdoor Air Temp DB	Indoor Set Temperature					
	70°F (21°C)		75°F (24°C)		80°F (27°C)	
	Total Capacity (Btu/h)	Power Usage (w)	Total Capacity (Btu/h)	Power Usage (w)	Total Capacity (Btu/h)	Power Usage (w)
14°F (-10°C)	6,370	750	7,020	810	7,500	830
65°F (18°C)	16,210	1,350	19,120	1,550	20,130	1,580
75°F (24°C)	15,100	1,620	18,760	1,690	19,940	1,720
85°F (29°C)	14,950	1,660	17,800	1,780	19,150	1,810
95°F (35°C)	14,680	1,630	16,420	1,790	18,780	1,860
105°F (41°C)	13,360	1,730	15,690	1,870	17,490	2,040
115°F (46°C)	10,200	1,450	13,860	1,810	15,700	2,190

- Capacity output and power usage are measured approximately at 50% indoor RH.
  - Capacities are obtained at standard piping length of each outdoor model
- Specifications are subject to change without notice. © 2019 GE Appliances, a Haier Company All rights reserved

# Haier Arctic Multi Series Submittal

24000 BTU/HR INVERTER DRIVEN MULTI-ZONE HEAT PUMP SYSTEM

## 3U24EH2VHA

Job Name: \_\_\_\_\_

Purchaser: \_\_\_\_\_

Submitted To: \_\_\_\_\_

Construction: \_\_\_\_\_

Reference: \_\_\_\_\_

Approval: \_\_\_\_\_

Date: \_\_\_\_\_

Submitted By: \_\_\_\_\_

Unit: \_\_\_\_\_

Drawing #: \_\_\_\_\_



### Accessories

#### Wind Baffle

Uses wind baffle UAWB46A

#### Snow Hood

Uses snow hood UAWB80A

### Electrical Requirement

Power Supply	208/230V, 1 Phase, 60 HZ
Operating Voltage Range	187~253 VAC
Recommended Fuse/Breaker Size	25A
MCA	16A

Connecting cable to indoor units must be 14/4 AWG unshielded stranded copper. Cable must be ran continuous, without splicing.

### Operating Range

Cooling	14~115°F (-10~46°C)
Heating	-15~75°F (-26~24°C)

Rated heating performance down to -15°F and continuous operation at -22°F

### Cooling Performance

Cooling Capacity Range (Non-Ducted/Ducted)	6,000~23,600 BTU/ 6,000~22,300 BTU
Rated Power Input (Non-Ducted/Ducted)	1,760/1,786 W
SEER (Non-Ducted/Ducted)	18.5/15
EER (Non-Ducted/Ducted)	12.5/11.2

### Heating Performance

Heating Capacity Range (Non-Ducted/Ducted)	8,000~30,600 BTU/ 8,000~28,600 BTU
HSPF (Non-Ducted/Ducted)	10.5/9.3

### Pipe Length

Minimum Pipe Length (Each)	6 ft
Maximum Pipe Length (Each/All)	82 ft /197 ft
Pre-Charged	100 ft
Additional Charge	0.2 oz/ft
Maximum Pipe Height Difference	50 ft
Flare Connections	Liquid: 1/4", 1/4", 1/4" Vapor: 3/8", 3/8", 1/2"

### Outdoor Unit

Compressor	DC inverter Driven Rotary
Uncrated Dimension (HxWxD)	33 x 37 1/4 x 13 1/2 in (840 x 948 x 340 mm)
Crated (HxWxD)	41 1/4 x 41 3/4 x 16 1/2 in (1050 x 1060 x 420 mm)
Outdoor Sound Rating dB	56
Heat Exchanger Fin Type	Blue Fin
Weight (Ship/Net)	205.9/189.5 lbs
Factory Refrigerant Charge	R-410A (99.0 oz)

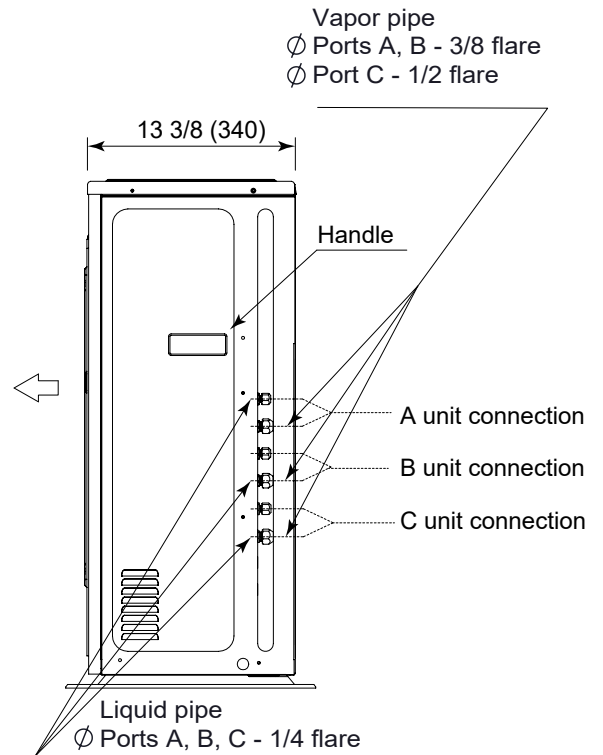
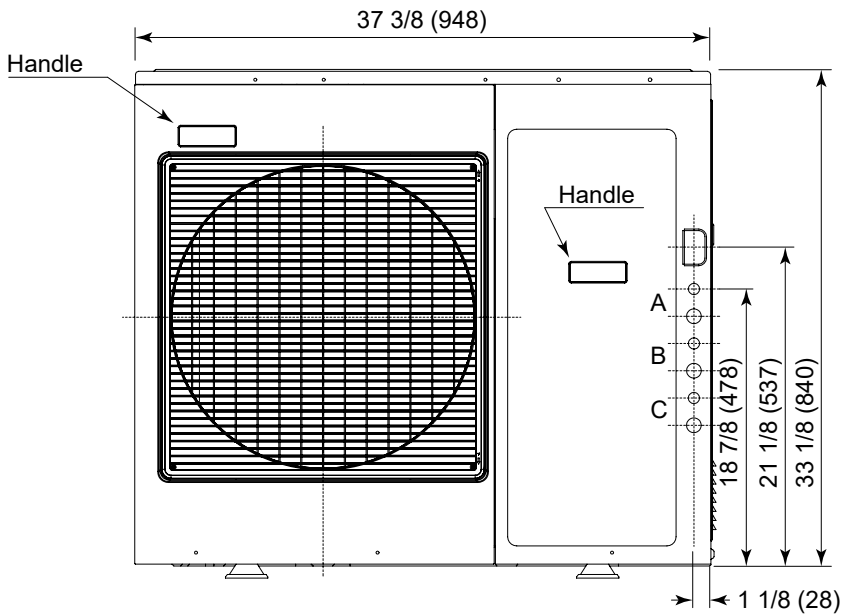
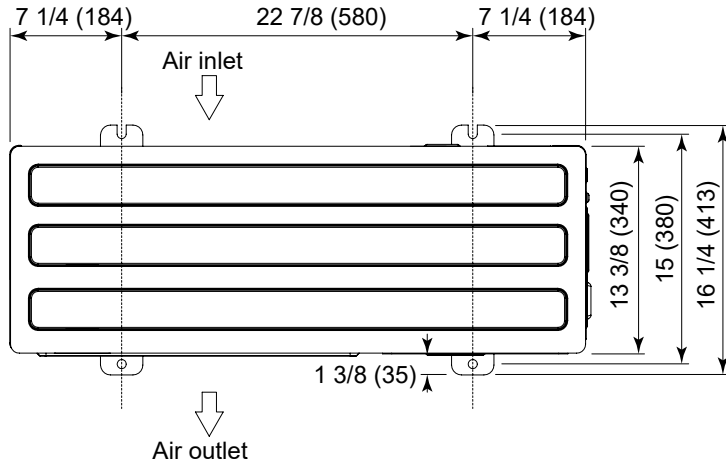


For more information visit us:  
www.Haierductless.com  
www.Haierductlesshelp.com



24000 BTU/HR INVERTER DRIVEN MULTI-ZONE HEAT PUMP SYSTEM

## 3U24EH2VHA





## 3U24EH2VHA

### Heating Capacity Data - Non Ducted

Outdoor Air Temp DB	Indoor Set Temperature					
	60°F (16°C)		70°F (21°C)		77°F (25°C)	
	Maximum Heating Capacity (Btu/h)	Power Usage (w)	Max Heating Capacity (Btu/h)	Power Usage (w)	Max Heating Capacity (Btu/h)	Power Usage (w)
-15°F (-26°C)	18,120	2,960	18,000	3,090	16,580	3,220
-4°F (-20°C)	19,930	3,060	19,430	3,250	17,330	3,360
5°F (-15°C)	24,860	3,290	24,120	3,510	21,870	3,620
17°F (-8°C)	28,210	3,390	27,220	3,810	25,500	3,920
47°F (8°C)	31,230	3,720	29,600	4,030	27,850	4,120

### Heating Capacity Data - Ducted

Outdoor Air Temp DB	Indoor Set Temperature					
	60°F (16°C)		70°F (21°C)		77°F (25°C)	
	Maximum Heating Capacity (Btu/h)	Power Usage (w)	Max Heating Capacity (Btu/h)	Power Usage (w)	Max Heating Capacity (Btu/h)	Power Usage (w)
-15°F (-26°C)	18,000	3,480	17,100	3,360	16,100	3,530
-4°F (-20°C)	19,820	3,510	19,200	3,560	17,200	3,610
5°F (-15°C)	22,860	3,440	23,240	3,540	21,160	3,730
17°F (-8°C)	27,140	3,470	26,410	3,620	24,170	3,810
47°F (8°C)	29,130	3,550	28,820	3,780	27,660	3,920

### Cooling Capacity Data - Non Ducted

Outdoor Air Temp DB	Indoor Set Temperature					
	70°F (21°C)		75°F (24°C)		80°F (27°C)	
	Total Capacity (Btu/h)	Power Usage (w)	Total Capacity (Btu/h)	Power Usage (w)	Total Capacity (Btu/h)	Power Usage (w)
14°F (-10°C)	13,210	1,080	14,010	1,120	15,330	1,190
65°F (18°C)	24,860	1,560	25,940	1,610	27,480	1,690
75°F (24°C)	23,560	1,680	24,860	1,710	26,190	1,780
85°F (29°C)	23,350	1,710	24,560	1,790	25,430	1,840
95°F (35°C)	22,860	1,860	23,360	1,880	24,320	1,910
105°F (41°C)	21,320	2,060	22,720	2,160	23,560	2,190
115°F (46°C)	16,960	2,120	18,160	2,190	18,680	2,230

### Cooling Capacity Data - Ducted

Outdoor Air Temp DB	Indoor Set Temperature					
	70°F (21°C)		75°F (24°C)		80°F (27°C)	
	Total Capacity (Btu/h)	Power Usage (w)	Total Capacity (Btu/h)	Power Usage (w)	Total Capacity (Btu/h)	Power Usage (w)
14°F (-10°C)	12,320	1,150	13,120	1,180	14,680	1,220
65°F (18°C)	24,300	1,610	25,010	1,650	26,560	1,720
75°F (24°C)	23,130	1,710	24,140	1,760	25,310	1,830
85°F (29°C)	23,310	1,880	24,110	1,920	24,900	1,960
95°F (35°C)	22,360	1,990	23,060	2,050	24,130	2,070
105°F (41°C)	21,230	2,220	22,170	2,280	22,690	2,310
115°F (46°C)	16,830	2,230	17,850	2,320	18,560	2,400

- Capacity output and power usage are measured approximately at 50% indoor RH.
  - Capacities are obtained at standard piping length of each outdoor model
- Specifications are subject to change without notice. © 2019 GE Appliances, a Haier Company All rights reserved

# Haier Arctic Multi Series Submittal

36000 BTU/HR INVERTER DRIVEN MULTI-ZONE HEAT PUMP SYSTEM

## 4U36EH2VHA

Job Name: \_\_\_\_\_

Purchaser: \_\_\_\_\_

Submitted To: \_\_\_\_\_

Construction: \_\_\_\_\_

Reference: \_\_\_\_\_

Approval: \_\_\_\_\_

Date: \_\_\_\_\_

Submitted By: \_\_\_\_\_

Unit: \_\_\_\_\_

Drawing #: \_\_\_\_\_



### Accessories

#### Wind Baffle

Uses wind baffle UAWB46A

#### Snow Hood

Uses snow hood UAWB80A

### Electrical Requirement

Power Supply	208/230V, 1 Phase, 60 HZ
Operating Voltage Range	187~253 VAC
Recommended Fuse/Breaker Size	40A
MCA	30A

Connecting cable to indoor units must be 14/4 AWG unshielded stranded copper. Cable must be ran continuous, without splicing.

### Operating Range

Cooling	23~115°F (-5~46°C)
Heating	-15~77°F (-26~25°C)

Rated heating performance down to -15°F and continuous operation at -22°F

### Cooling Performance

Cooling Capacity Range (Non-Ducted/Ducted)	5,000~34,000 BTU/ 5,000~34,400 BTU
Rated Power Input (Non-Ducted/Ducted)	2,720/3,440 W
SEER (Non-Ducted/Ducted)	20.0/17
EER (Non-Ducted/Ducted)	12.5/10.0

### Heating Performance

Heating Capacity Range (Non-Ducted/Ducted)	6,100~36,000 BTU/ 6,100~35,000 BTU
HSPF (Non-Ducted/Ducted)	10.5/10.5

### Pipe Length

Minimum Pipe Length (Each)	6 ft
Maximum Pipe Length (Each/All)	82 ft /230 ft
Pre-Charged	131 ft
Additional Charge	0.2 oz/ft
Maximum Pipe Height Difference	50 ft
Flare Connections	Liquid: 1/4", 1/4", 1/4", 1/4" Vapor: 3/8", 3/8", 3/8", 1/2"

### Outdoor Unit

Compressor	DC inverter Driven Rotary
Uncrated Dimension (HxWxD)	33 1/8 x 37 3/8 x 13 3/8 in (840 x 948 x 340 mm)
Crated (HxWxD)	37 3/8 x 37 1/2 x 15 3/8 in (956 x 951 x 390 mm)
Outdoor Sound Rating dB	59
Heat Exchanger Fin Type	Blue Fin
Weight (Ship/Net)	215/198.4 lbs
Factory Refrigerant Charge	R-410A (113 oz)

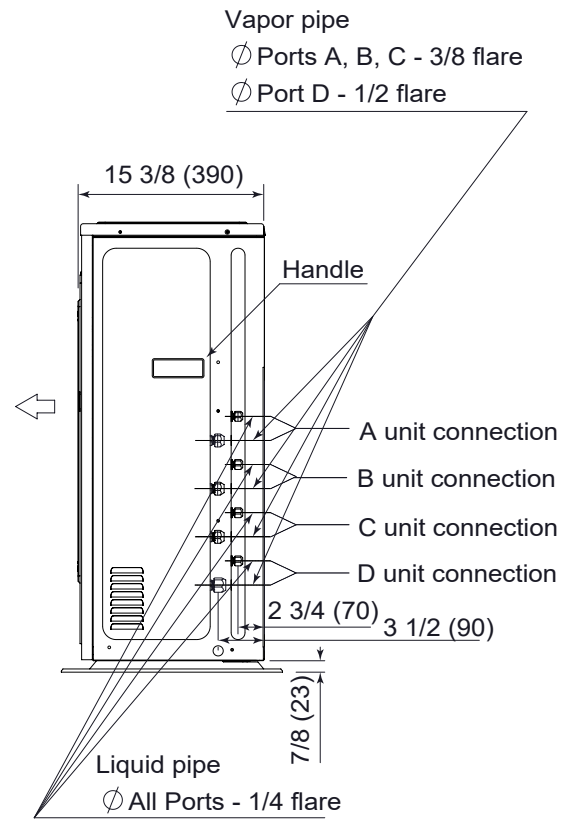
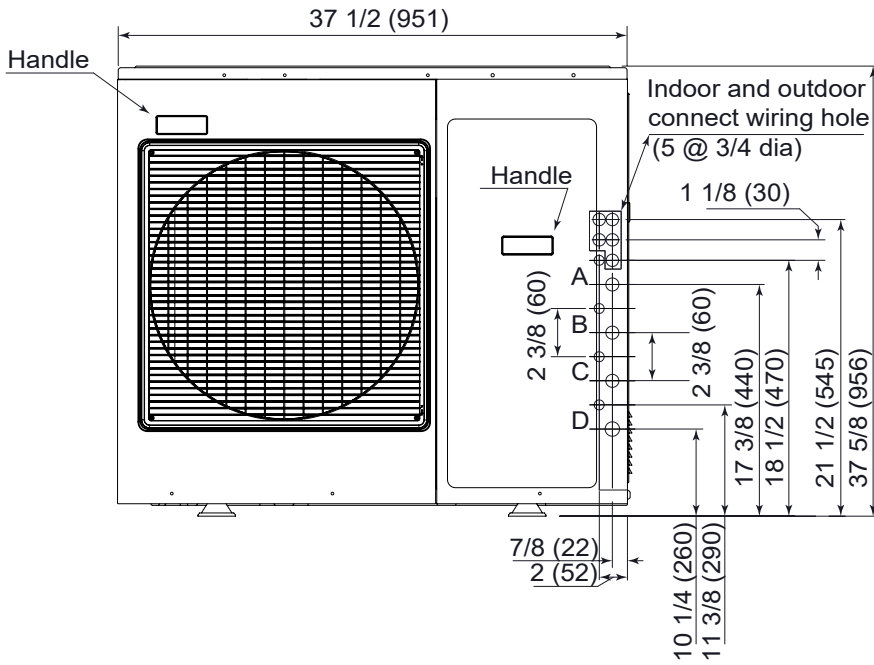
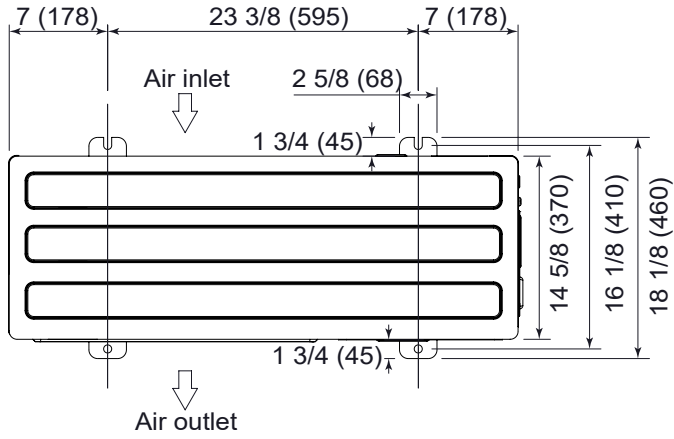


For more information visit us:  
www.Haierductless.com  
www.Haierductlesshelp.com



36000 BTU/HR INVERTER DRIVEN MULTI-ZONE HEAT PUMP SYSTEM

## 4U36EH2VHA



#### Heating Capacity Data - Non Ducted

Outdoor Air Temp DB	Indoor Set Temperature					
	60°F (16°C)		70°F (21°C)		77°F (25°C)	
	Maximum Heating Capacity (Btu/h)	Power Usage (w)	Max Heating Capacity (Btu/h)	Power Usage (w)	Max Heating Capacity (Btu/h)	Power Usage (w)
-15°F (-26°C)	25,900	4,960	25,700	5,010	25,000	5,020
-4°F (-20°C)	30,100	4,970	29,800	5,040	28,200	5,060
5°F (-15°C)	36,200	4,980	36,000	5,270	35,100	5,300
17°F (-8°C)	38,500	3,940	37,000	3,950	36,500	4,200
47°F (8°C)	38,900	3,100	38,000	3,190	37,800	3,200

#### Heating Capacity Data - Ducted

Outdoor Air Temp DB	Indoor Set Temperature					
	60°F (16°C)		70°F (21°C)		77°F (25°C)	
	Maximum Heating Capacity (Btu/h)	Power Usage (w)	Max Heating Capacity (Btu/h)	Power Usage (w)	Max Heating Capacity (Btu/h)	Power Usage (w)
-15°F (-26°C)	25,500	5,100	25,000	5,200	24,500	5,430
-4°F (-20°C)	29,700	5,200	29,000	5,400	28,100	5,490
5°F (-15°C)	35,800	5,300	35,000	5,480	34,600	5,560
17°F (-8°C)	36,600	4,010	36,000	4,030	35,700	4,760
47°F (8°C)	36,300	3,310	37,000	3,180	35,900	3,760

#### Cooling Capacity Data - Non Ducted

Outdoor Air Temp DB	Indoor Set Temperature					
	70°F (21°C)		75°F (24°C)		80°F (27°C)	
	Total Capacity (Btu/h)	Power Usage (w)	Total Capacity (Btu/h)	Power Usage (w)	Total Capacity (Btu/h)	Power Usage (w)
14°F (-10°C)	23,300	1,900	24,070	1,920	25,330	1,960
65°F (18°C)	34,780	2,180	35,980	2,230	37,340	2,290
75°F (24°C)	33,560	2,390	34,870	2,410	36,120	2,450
85°F (29°C)	33,380	2,440	34,650	2,520	35,300	2,550
95°F (35°C)	35,500	2,950	35,600	2,970	35,700	2,980
105°F (41°C)	31,210	3,010	32,600	3,020	33,650	3,120
115°F (46°C)	26,980	3,370	28,230	3,400	29,700	3,500

#### Cooling Capacity Data - Ducted

Outdoor Air Temp DB	Indoor Set Temperature					
	70°F (21°C)		75°F (24°C)		80°F (27°C)	
	Total Capacity (Btu/h)	Power Usage (w)	Total Capacity (Btu/h)	Power Usage (w)	Total Capacity (Btu/h)	Power Usage (w)
14°F (-10°C)	23,500	2,320	24,980	2,320	25,440	2,360
65°F (18°C)	35,980	2,460	36,200	2,630	37,420	2,690
75°F (24°C)	33,960	2,790	34,980	2,830	36,200	2,950
85°F (29°C)	33,780	2,850	34,780	2,930	35,400	2,950
95°F (35°C)	35,900	3,320	35,700	3,340	34,200	3,420
105°F (41°C)	31,600	3,420	32,800	3,430	33,700	3,520
115°F (46°C)	27,420	3,770	28,920	3,820	29,900	3,900

- Capacity output and power usage are measured approximately at 50% indoor RH.
  - Capacities are obtained at standard piping length of each outdoor model
- Specifications are subject to change without notice. © 2019 GE Appliances, a Haier Company All rights reserved

# Haier Arctic Multi Series Submittal

## 7000 BTU/HR WALL MOUNTED INVERTER DRIVEN HEAT PUMP SYSTEM(INDOOR for multi-zone) AW07LC2VHB

Job Name: \_\_\_\_\_  
 Purchaser: \_\_\_\_\_  
 Submitted To: \_\_\_\_\_  
 Construction: \_\_\_\_\_  
 Reference: \_\_\_\_\_

Approval: \_\_\_\_\_  
 Date: \_\_\_\_\_  
 Submitted By: \_\_\_\_\_  
 Unit: \_\_\_\_\_  
 Drawing #: \_\_\_\_\_



### Electrical Requirement

Power Supply	208/230V, 1 Phase, 60 HZ
Operating Voltage Range	187~253 VAC

### Performance

Rated Cooling Capacity	7,000 BTU
Rated Heating Capacity	8,000 BTU

### Piping

Flare Connections	Liquid: 1/4" Vapor: 3/8"
-------------------	-----------------------------

## Accessories

### Remote Controller

Ships with Standard Remote Control (YR-HG)

### Compatible Wired Controllers (requires WK-B adapter)

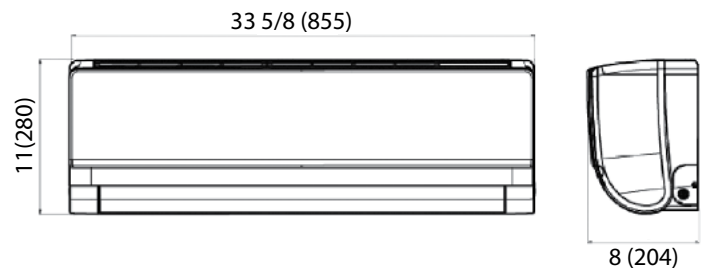
Simplified Wired Controller (QACT17A)  
 Programmable Wired Controller (YR-E16B)

### WiFi

Compatible with WiFi Module

### Indoor Unit

Uncrated Dimension (HxWxD)	11 x 33 5/8 x 8 in (280 x 855 x 204 mm)
Crated (HxWxD)	14 x 37 1/2 x 11 in (355 x 954 x 279 mm)
Airflow CFM (Turbo/High/Med/Low/Quiet)	410/350/295/235/205
Indoor Sound Level dB (Turbo/High/Med/Low/Quiet)	43/38/33/26/22
Motor Rating (HP)	0.054
Heat Exchanger Fin Type	Blue Fin
Weight (Ship/Net)	26.9/22.0 lbs



For more information visit us:  
[www.Haierductless.com](http://www.Haierductless.com)  
[www.Haierductlesshelp.com](http://www.Haierductlesshelp.com)



# Haier Arctic Multi Series Submittal

9000 BTU/HR WALL MOUNTED INVERTER DRIVEN HEAT PUMP SYSTEM(INDOOR for multi-zone)

## AW09LC2VHB

Job Name: \_\_\_\_\_

Purchaser: \_\_\_\_\_

Submitted To: \_\_\_\_\_

Construction: \_\_\_\_\_

Reference: \_\_\_\_\_

Approval: \_\_\_\_\_

Date: \_\_\_\_\_

Submitted By: \_\_\_\_\_

Unit: \_\_\_\_\_

Drawing #: \_\_\_\_\_



### Electrical Requirement

Power Supply	208/230V, 1 Phase, 60 HZ
Operating Voltage Range	187~253 VAC

### Performance

Rated Cooling Capacity	9,000 BTU
Rated Heating Capacity	10,000 BTU

### Piping

Flare Connections	Liquid: 1/4" Vapor: 3/8"
-------------------	-----------------------------

## Accessories

### Remote Controller

Ships with Standard Remote Control (YR-HG)

### Compatible Wired Controllers (requires WK-B adapter)

Simplified Wired Controller (QACT17A)

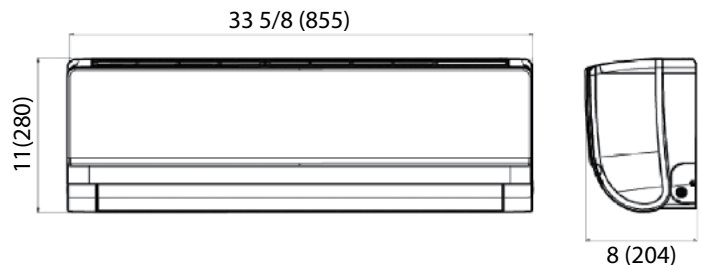
Programmable Wired Controller (YR-E16B)

### WiFi

Compatible with WiFi Module

### Indoor Unit

Uncrated Dimension (HxWxD)	11 x 33 5/8 x 8 in (280 x 855 x 204 mm)
Crated (HxWxD)	14 x 37 1/2 x 11 in (355 x 954 x 279 mm)
Airflow CFM (Turbo/High/Med/Low/Quiet)	410/350/295/235/205
Indoor Sound Level dB (Turbo/High/Med/Low/Quiet)	43/38/33/26/22
Motor Rating (HP)	0.054
Heat Exchanger Fin Type	Blue Fin
Weight (Ship/Net)	26.9/22.0 lbs



For more information visit us:  
[www.Haierductless.com](http://www.Haierductless.com)  
[www.Haierductlesshelp.com](http://www.Haierductlesshelp.com)

# Haier Arctic Multi Series Submittal

12000 BTU/HR WALL MOUNTED INVERTER DRIVEN HEAT PUMP SYSTEM(INDOOR for multi-zone)

## AW12LC2VHB

Job Name: \_\_\_\_\_

Purchaser: \_\_\_\_\_

Submitted To: \_\_\_\_\_

Construction: \_\_\_\_\_

Reference: \_\_\_\_\_

Approval: \_\_\_\_\_

Date: \_\_\_\_\_

Submitted By: \_\_\_\_\_

Unit: \_\_\_\_\_

Drawing #: \_\_\_\_\_



### Electrical Requirement

Power Supply	208/230V, 1 Phase, 60 HZ
Operating Voltage Range	187~253 VAC

### Performance

Rated Cooling Capacity	12,000 BTU
Rated Heating Capacity	13,000 BTU

### Piping

Flare Connections	Liquid: 1/4" Vapor: 3/8"
-------------------	-----------------------------

## Accessories

### Remote Controller

Ships with Standard Remote Control (YR-HG)

### Compatible Wired Controllers (requires WK-B adapter)

Simplified Wired Controller (QACT17A)

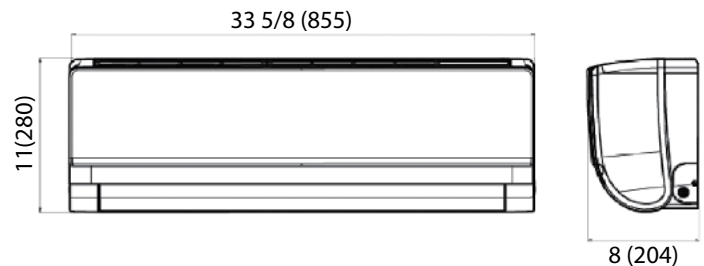
Programmable Wired Controller (YR-E16B)

### WiFi

Compatible with WiFi Module

### Indoor Unit

Uncrated Dimension (HxWxD)	11 x 33 5/8 x 8 in (280 x 855 x 204 mm)
Crated (HxWxD)	14 x 37 1/2 x 11 in (355 x 954 x 279 mm)
Airflow CFM (Turbo/High/Med/Low/Quiet)	440/380/320/265/215
Indoor Sound Level dB (Turbo/High/Med/Low/Quiet)	44/39/34/27/23
Motor Rating (HP)	0.054
Heat Exchanger Fin Type	Blue Fin
Weight (Ship/Net)	26.9/22.0 lbs



For more information visit us:  
[www.Haierductless.com](http://www.Haierductless.com)  
[www.Haierductlesshelp.com](http://www.Haierductlesshelp.com)

# Haier Arctic Multi Series Submittal

18000 BTU/HR WALL MOUNTED INVERTER DRIVEN HEAT PUMP SYSTEM(INDOOR for multi-zone)

## AW18LC2VHB

Job Name: \_\_\_\_\_

Purchaser: \_\_\_\_\_

Submitted To: \_\_\_\_\_

Construction: \_\_\_\_\_

Reference: \_\_\_\_\_

Approval: \_\_\_\_\_

Date: \_\_\_\_\_

Submitted By: \_\_\_\_\_

Unit: \_\_\_\_\_

Drawing #: \_\_\_\_\_



### Electrical Requirement

Power Supply	208/230V, 1 Phase, 60 HZ
Operating Voltage Range	187~253 VAC

### Performance

Rated Cooling Capacity	18,000 BTU
Rated Heating Capacity	19,000 BTU

### Piping

Flare Connections	Liquid: 1/4" Vapor: 1/2"
-------------------	-----------------------------

## Accessories

### Remote Controller

Ships with Standard Remote Control (YR-HG)

### Compatible Wired Controllers (requires WK-B adapter)

Simplified Wired Controller (QACT17A)

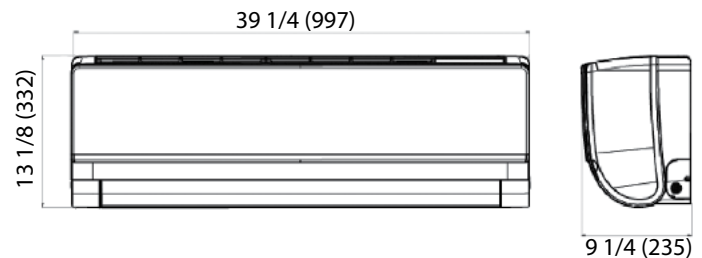
Programmable Wired Controller (YR-E16B)

### WiFi

Compatible with WiFi Module

### Indoor Unit

Uncrated Dimension (HxWxD)	13 1/8 x 39 1/4 x 9 1/4 in (332 x 997 x 235 mm)
Crated (HxWxD)	15 7/8 x 42 3/4 x 13 in (403 x 1085 x 329 mm)
Airflow CFM (Turbo/High/Med/Low/Quiet)	636/530/483/430/383
Indoor Sound Level dB (Turbo/High/Med/Low/Quiet)	48/45/40/35/30
Motor Rating (HP)	0.054
Heat Exchanger Fin Type	Blue Fin
Weight (Ship/Net)	35.3/28.7 lbs



For more information visit us:  
[www.Haierductless.com](http://www.Haierductless.com)  
[www.Haierductlesshelp.com](http://www.Haierductlesshelp.com)



# Haier Arctic Multi Series Submittal

24,000 BTU/HR WALL MOUNTED INVERTER DRIVEN HEAT PUMP SYSTEM(INDOOR for multi-zone)

## AW24LP2VHA

Job Name: \_\_\_\_\_

Purchaser: \_\_\_\_\_

Submitted To: \_\_\_\_\_

Construction: \_\_\_\_\_

Reference: \_\_\_\_\_

Approval: \_\_\_\_\_

Date: \_\_\_\_\_

Submitted By: \_\_\_\_\_

Unit: \_\_\_\_\_

Drawing #: \_\_\_\_\_



### Electrical Requirement

Power Supply	208/230V, 1 Phase, 60 HZ
Operating Voltage Range	187~253 VAC

### Performance

Rated Cooling Capacity	24,000 BTU
Rated Heating Capacity	27,000 BTU

### Piping

Flare Connections	Liquid: 3/8" Vapor: 5/8"
-------------------	-----------------------------

## Accessories

### Remote Controller

Ships with Standard Remote Control (YR-HG)

### Compatible Wired Controllers (requires WK-B adapter)

Simplified Wired Controller (QACT17A)

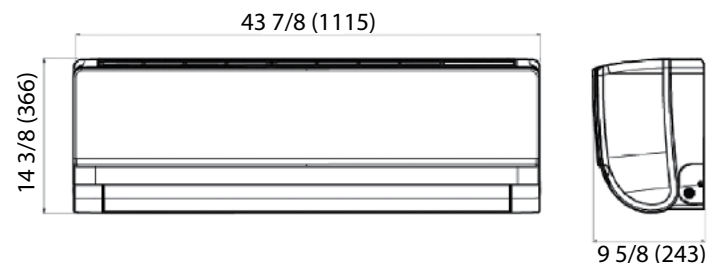
Programmable Wired Controller (YR-E16B)

### WiFi

Compatible with WiFi Module.

### Indoor Unit

Uncrated Dimension (HxWxD)	14 3/8 x 43 7/8 x 9 5/8 in (366 x 1115 x 243 mm)
Crated (HxWxD)	16 1/2 x 47 1/2 x 13 1/2 in (418 x 1206 x 342 mm)
Airflow CFM (Turbo/High/Med/Low/Quiet)	710/650/560/440/410
Indoor Sound Level dB (Turbo/High/Med/Low/Quiet)	49/47/42/36/34
Motor Rating (HP)	0.094
Heat Exchanger Fin Type	Blue Fin
Weight (Ship/Net)	45.4/37.5 lbs



For more information visit us:  
[www.Haierductless.com](http://www.Haierductless.com)  
[www.Haierductlesshelp.com](http://www.Haierductlesshelp.com)

# Haier Arctic Multi Series Submittal

7,000 BTU/HR WALL MOUNTED INVERTER DRIVEN HEAT PUMP SYSTEM (INDOOR for multi-zone)

## AW07TC2HDA

Job Name: \_\_\_\_\_

Purchaser: \_\_\_\_\_

Submitted To: \_\_\_\_\_

Construction: \_\_\_\_\_

Reference: \_\_\_\_\_

Approval: \_\_\_\_\_

Date: \_\_\_\_\_

Submitted By: \_\_\_\_\_

Unit: \_\_\_\_\_

Drawing #: \_\_\_\_\_



### Electrical Requirement

Power Supply	208/230V, 1 Phase, 60 HZ
Operating Voltage Range	187~253 VAC

### Performance

Rated Cooling Capacity	7,000 BTU
Rated Heating Capacity	8,000 BTU

### Piping

Flare Connections	Liquid: 1/4" Vapor: 3/8"
-------------------	-----------------------------

## Accessories

### Remote Controller

Ships with Standard Remote Control (YR-HG)

### Compatible Wired Controllers (no adapter required)

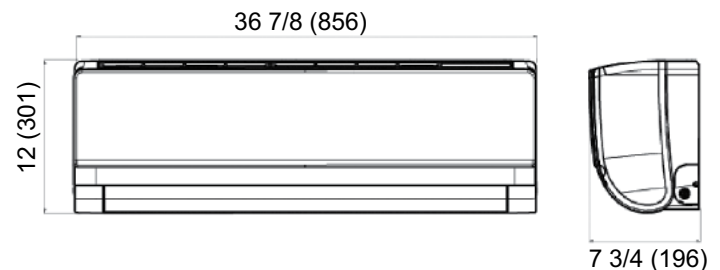
Simplified Wired Controller (QACT17A)

Programmable Wired Controller (YR-E16B)

### Built-in WiFi

### Indoor Unit

Uncrated Dimension (HxWxD)	7 3/4 x 33 3/4 x 12 in (196 x 856 x 301 mm)
Crated (HxWxD)	10 1/2 x 36 7/8 x 14 3/4 in (265 x 937 x 374 mm)
Airflow CFM (Turbo/High/Med/Low/Quiet)	400/315/274/222/187
Indoor Sound Level dB (Turbo/High/Med/Low/Quiet)	42/36/33/29/26
Motor Rating (HP)	0.04
Heat Exchanger Fin Type	Blue Fin
Weight (Ship/Net)	26.9/21.2 lbs



For more information visit us:  
[www.Haierductless.com](http://www.Haierductless.com)  
[www.Haierductlesshelp.com](http://www.Haierductlesshelp.com)

# Haier Arctic Multi Series Submittal

9,000 BTU/HR WALL MOUNTED INVERTER DRIVEN HEAT PUMP SYSTEM (INDOOR for multi-zone)

## AW09TC2HDA

Job Name: \_\_\_\_\_

Purchaser: \_\_\_\_\_

Submitted To: \_\_\_\_\_

Construction: \_\_\_\_\_

Reference: \_\_\_\_\_

Approval: \_\_\_\_\_

Date: \_\_\_\_\_

Submitted By: \_\_\_\_\_

Unit: \_\_\_\_\_

Drawing #: \_\_\_\_\_



### Electrical Requirement

Power Supply	208/230V, 1 Phase, 60 HZ
Operating Voltage Range	187~253 VAC

### Performance

Rated Cooling Capacity	9,000 BTU
Rated Heating Capacity	10,000 BTU

### Piping

Flare Connections	Liquid: 1/4" Vapor: 3/8"
-------------------	-----------------------------

## Accessories

### Remote Controller

Ships with Standard Remote Control (YR-HG)

### Compatible Wired Controllers (no adapter required)

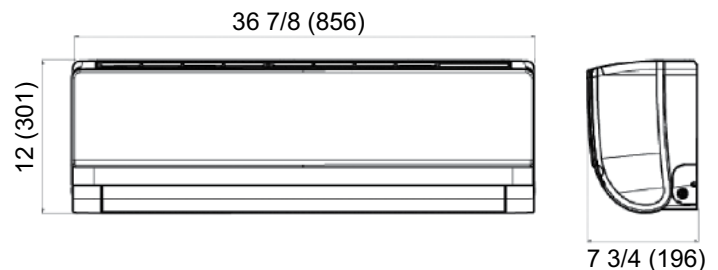
Simplified Wired Controller (QACT17A)

Programmable Wired Controller (YR-E16B)

### Built-in WiFi

### Indoor Unit

Uncrated Dimension (HxWxD)	7 3/4 x 33 3/4 x 12 in (196 x 856 x 301 mm)
Crated (HxWxD)	10 1/2 x 36 7/8 x 14 3/4 in (265 x 937 x 374 mm)
Airflow CFM (Turbo/High/Med/Low/Quiet)	421/332/292/242/200
Indoor Sound Level dB (Turbo/High/Med/Low/Quiet)	42/36/33/29/26
Motor Rating (HP)	0.04
Heat Exchanger Fin Type	Blue Fin
Weight (Ship/Net)	26.9/21.2 lbs



For more information visit us:  
[www.Haierductless.com](http://www.Haierductless.com)  
[www.Haierductlesshelp.com](http://www.Haierductlesshelp.com)

# Haier Arctic Multi Series Submittal

12,000 BTU/HR WALL MOUNTED INVERTER DRIVEN HEAT PUMP SYSTEM(INDOOR for multi-zone)

## AW12TC2HDA

Job Name: \_\_\_\_\_

Purchaser: \_\_\_\_\_

Submitted To: \_\_\_\_\_

Construction: \_\_\_\_\_

Reference: \_\_\_\_\_

Approval: \_\_\_\_\_

Date: \_\_\_\_\_

Submitted By: \_\_\_\_\_

Unit: \_\_\_\_\_

Drawing #: \_\_\_\_\_



### Electrical Requirement

Power Supply	208/230V, 1 Phase, 60 HZ
Operating Voltage Range	187~253 VAC

### Performance

Rated Cooling Capacity	12,000 BTU
Rated Heating Capacity	13,000 BTU

### Piping

Flare Connections	Liquid: 1/4" Vapor: 3/8"
-------------------	-----------------------------

## Accessories

### Remote Controller

Ships with Standard Remote Control (YR-HG)

### Compatible Wired Controllers (no adapter required)

Simplified Wired Controller (QACT17A)

Programmable Wired Controller (YR-E16B)

### Built-in WiFi

### Indoor Unit

Uncrated Dimension (HxWxD)	7 3/4 x 33 3/4 x 12 in (196 x 856 x 301 mm)
Crated (HxWxD)	10 1/2 x 36 7/8 x 14 3/4 in (265 x 937 x 374 mm)
Airflow CFM (Turbo/High/Med/Low/Quiet)	426/360/310/265/200
Indoor Sound Level dB (Turbo/High/Med/Low/Quiet)	42/38/34/31/26
Motor Rating (HP)	0.04
Heat Exchanger Fin Type	Blue Fin
Weight (Ship/Net)	26.9/21.2 lbs



For more information visit us:  
[www.Haierductless.com](http://www.Haierductless.com)  
[www.Haierductlesshelp.com](http://www.Haierductlesshelp.com)

# Haier Arctic Multi Series Submittal

18,000 BTU/HR WALL MOUNTED INVERTER DRIVEN HEAT PUMP SYSTEM(INDOOR for multi-zone)

## AW18TC2HDA

Job Name: \_\_\_\_\_

Purchaser: \_\_\_\_\_

Submitted To: \_\_\_\_\_

Construction: \_\_\_\_\_

Reference: \_\_\_\_\_

Approval: \_\_\_\_\_

Date: \_\_\_\_\_

Submitted By: \_\_\_\_\_

Unit: \_\_\_\_\_

Drawing #: \_\_\_\_\_



### Electrical Requirement

Power Supply	208/230V, 1 Phase, 60 HZ
Operating Voltage Range	187~253 VAC

### Performance

Rated Cooling Capacity	18,000 BTU
Rated Heating Capacity	19,000 BTU

### Piping

Flare Connections	Liquid: 1/4" Vapor: 1/2"
-------------------	-----------------------------

## Accessories

### Remote Controller

Ships with Standard Remote Control (YR-HG)

### Compatible Wired Controllers (no adapter required)

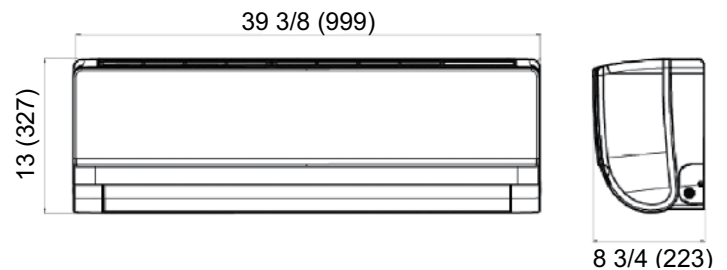
Simplified Wired Controller (QACT17A)

Programmable Wired Controller (YR-E16B)

### Built-in WiFi

### Indoor Unit

Uncrated Dimension (HxWxD)	8 3/4 x 39 3/8 x 13 in (223 x 999 x 327 mm)
Crated (HxWxD)	12 3/8 x 43 3/8 x 16 1/2 in (313 x 1100 x 420 mm)
Airflow CFM (Turbo/High/Med/Low/Quiet)	596/532/478/422/340
Indoor Sound Level dB (Turbo/High/Med/Low/Quiet)	48/45/42/39/36
Motor Rating (HP)	0.054
Heat Exchanger Fin Type	Blue Fin
Weight (Ship/Net)	34.77/28.06 lbs



For more information visit us:  
[www.Haierductless.com](http://www.Haierductless.com)  
[www.Haierductlesshelp.com](http://www.Haierductlesshelp.com)

# Haier Arctic Multi Series Submittal

24,000 BTU/HR WALL MOUNTED INVERTER DRIVEN HEAT PUMP SYSTEM(INDOOR for multi-zone)

## AW24TC2HDA

Job Name: \_\_\_\_\_

Purchaser: \_\_\_\_\_

Submitted To: \_\_\_\_\_

Construction: \_\_\_\_\_

Reference: \_\_\_\_\_

Approval: \_\_\_\_\_

Date: \_\_\_\_\_

Submitted By: \_\_\_\_\_

Unit: \_\_\_\_\_

Drawing #: \_\_\_\_\_



### Electrical Requirement

Power Supply	208/230V, 1 Phase, 60 HZ
Operating Voltage Range	187~253 VAC

### Performance

Rated Cooling Capacity	22,000 BTU
Rated Heating Capacity	24,000 BTU

### Piping

Flare Connections	Liquid: 1/4" Vapor: 1/2"
-------------------	-----------------------------

## Accessories

### Remote Controller

Ships with Standard Remote Control (YR-HG)

### Compatible Wired Controllers (no adapter required)

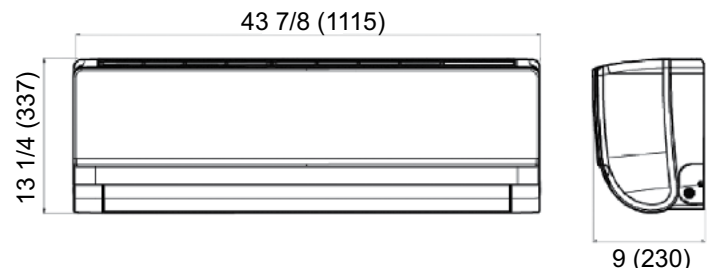
Simplified Wired Controller (QACT17A)

Programmable Wired Controller (YR-E16B)

### Built-in WiFi

### Indoor Unit

Uncrated Dimension (HxWxD)	9 x 43 7/8 x 13 1/4 in (230 x 1115 x 337 mm)
Crated (HxWxD)	12 5/8 x 47 3/8 x 17 in (319 x 1202 x 432 mm)
Airflow CFM (Turbo/High/Med/Low/Quiet)	846/744/668/592/482
Indoor Sound Level dB (Turbo/High/Med/Low/Quiet)	50/47/44/41/38
Motor Rating (HP)	0.094
Heat Exchanger Fin Type	Blue Fin
Weight (Ship/Net)	42.99/34.88 lbs



For more information visit us:  
[www.Haierductless.com](http://www.Haierductless.com)  
[www.Haierductlesshelp.com](http://www.Haierductlesshelp.com)

# Haier Arctic Multi Series Submittal

9000 BTU/HR CASSETTE TYPE INDOOR

## AB09SC2VHA

Job Name: \_\_\_\_\_

Purchaser: \_\_\_\_\_

Submitted To: \_\_\_\_\_

Construction: \_\_\_\_\_

Reference: \_\_\_\_\_

Approval: \_\_\_\_\_

Date: \_\_\_\_\_

Submitted By: \_\_\_\_\_

Unit: \_\_\_\_\_

Drawing #: \_\_\_\_\_



### Electrical Requirement

Power Supply	208/230V, 1 Phase, 60 HZ
Operating Voltage Range	187~253 VAC

### Performance

Rated Cooling Capacity	9,000 BTU
Rated Heating Capacity	10,000 BTU

### Piping

Flare Connections	Liquid: 1/4" Vapor: 3/8"
-------------------	-----------------------------

### Indoor Unit

Chassis Uncrated Dimension (HxWxD)	10 1/4 x 22 1/2 x 22 1/2 in (260 x 570 x 570 mm)
Chassis Crated (HxWxD)	15 x 28 1/4 x 26 3/4 in (380 x 718 x 680 mm)
Panel Uncrated Dimension (HxWxD)	2 3/8 x 27 1/2 x 27 1/2 in (60 x 700 x 700 mm)
Panel Crated (HxWxD)	4 1/2 x 29 1/8 x 29 1/2 in (115 x 740 x 750 mm)
Airflow CFM (Turbo/High/Med/Low/Quiet)	410/365/305/265/205
Indoor Sound Level dB (Turbo/High/Med/Low/Quiet)	42/40/36/32/25
Motor Rating (HP)	0.033
Heat Exchanger Fin Type	Blue Fin
Condensate Pump	Included - 47.2 in Lift
Weight (Ship/Net)	46.3/37.5 lbs

## Accessories

### Remote Controller

Ships with Standard Remote Control (YR-HG)

### Compatible Wired Controllers

Simplified Wired Controller (QACT17A)

Programmable Wired Controller (YR-E16B)

### Panel

PB-700KB is required to complete the installation and it must be ordered separately

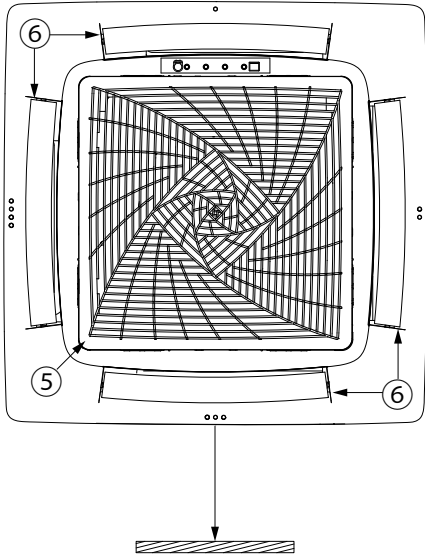


For more information visit us:  
[www.Haierductless.com](http://www.Haierductless.com)  
[www.Haierductlesshelp.com](http://www.Haierductlesshelp.com)

# Haier Arctic Multi Series Submittal

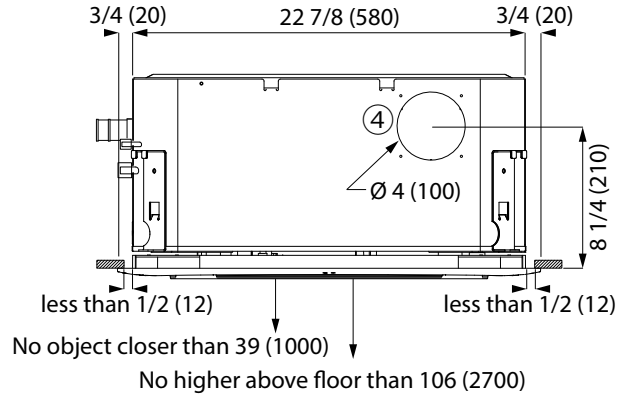
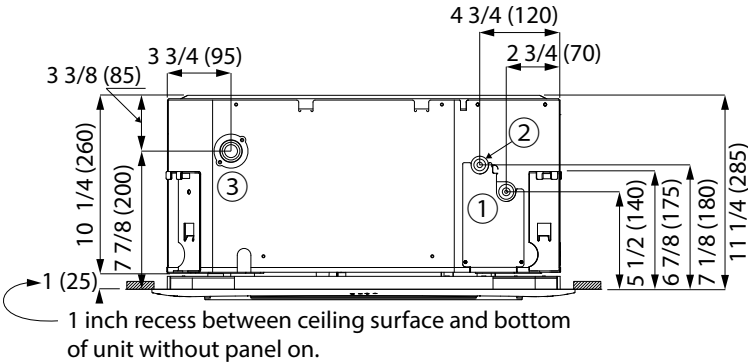
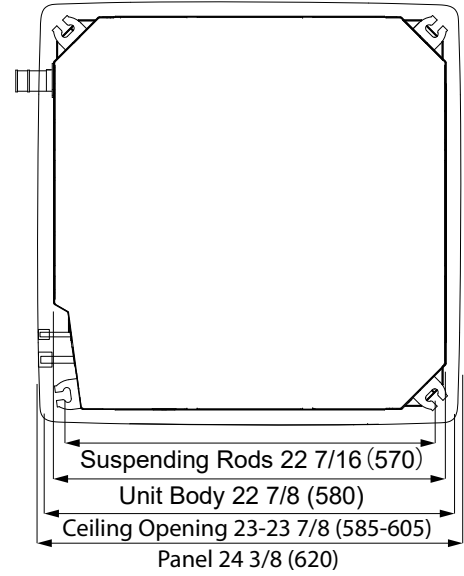
9000 BTU/HR CASSETTE TYPE INDOOR

## AB09SC2VHA



More than 59 (1500) to wall on all sides

#	Part Name
1	Vapor Pipe
2	Liquid Pipe
3	Drain Pump Outlet
4	Fresh Air Inlet
5	Air Return Grille
6	Air Supply





# Haier Arctic Multi Series Submittal

12000 BTU/HR CASSETTE TYPE INDOOR

## AB12SC2VHA

Job Name: \_\_\_\_\_

Purchaser: \_\_\_\_\_

Submitted To: \_\_\_\_\_

Construction: \_\_\_\_\_

Reference: \_\_\_\_\_

Approval: \_\_\_\_\_

Date: \_\_\_\_\_

Submitted By: \_\_\_\_\_

Unit: \_\_\_\_\_

Drawing #: \_\_\_\_\_



### Electrical Requirement

Power Supply	208/230V, 1 Phase, 60 HZ
Operating Voltage Range	187~253 VAC

### Performance

Rated Cooling Capacity	12,000 BTU
Rated Heating Capacity	13,000 BTU

### Piping

Flare Connections	Liquid: 1/4" Vapor: 3/8"
-------------------	-----------------------------

### Indoor Unit

Chassis Uncrated Dimension (HxWxD)	10 1/4 x 22 1/2 x 22 1/2 in (260 x 570 x 570 mm)
Chassis Crated (HxWxD)	15 x 28 1/4 x 26 3/4 in (380 x 718 x 680 mm)
Panel Uncrated Dimension (HxWxD)	2 3/8 x 27 1/2 x 27 1/2 in (60 x 700 x 700 mm)
Panel Crated (HxWxD)	4 1/2 x 29 1/8 x 29 1/2 in (115 x 740 x 750 mm)
Airflow CFM (Turbo/High/Med/Low/Quiet)	410/365/305/265/205
Indoor Sound Level dB (Turbo/High/Med/Low/Quiet)	42/40/36/32/25
Motor Rating (HP)	0.033
Heat Exchanger Fin Type	Blue Fin
Condensate Pump	Included - 47.2 in Lift
Weight (Ship/Net)	48.5/40.8 lbs

## Accessories

### Remote Controller

Ships with Standard Remote Control (YR-HG)

### Compatible Wired Controllers

Simplified Wired Controller (QACT17A)

Programmable Wired Controller (YR-E16B)

### Panel

PB-700KB is required to complete the installation and it must be ordered separately

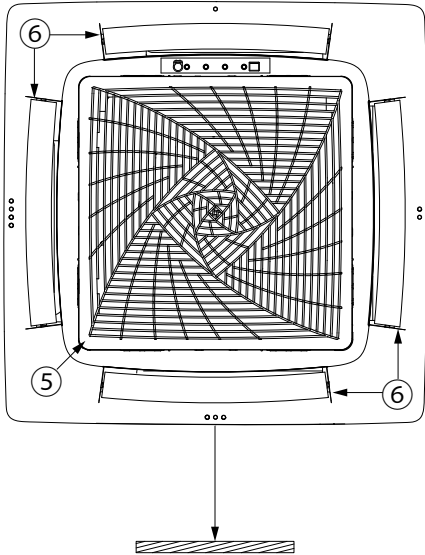


For more information visit us:  
[www.Haierductless.com](http://www.Haierductless.com)  
[www.Haierductlesshelp.com](http://www.Haierductlesshelp.com)

# Haier Arctic Multi Series Submittal

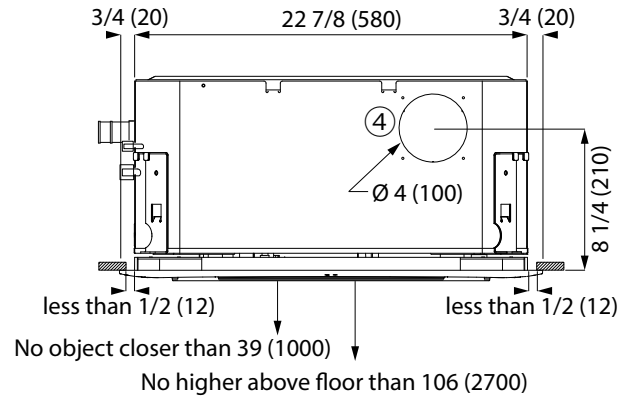
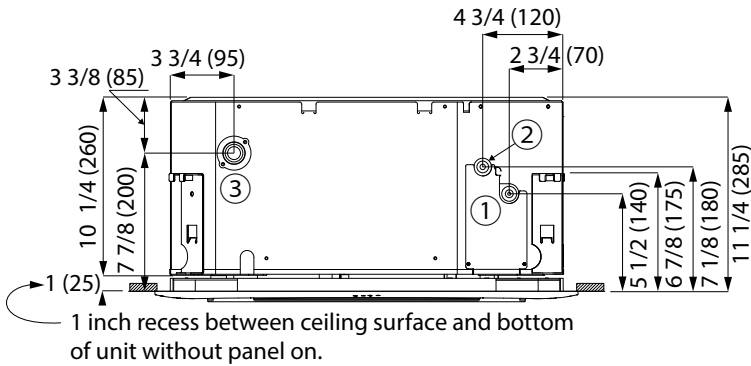
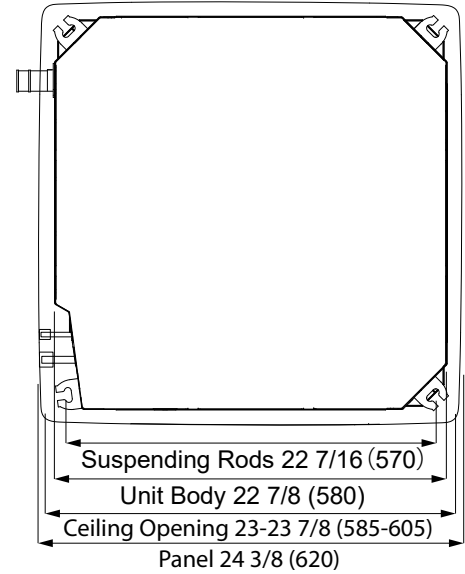
12000 BTU/HR CASSETTE TYPE INDOOR

## AB12SC2VHA



#	Part Name
1	Vapor Pipe
2	Liquid Pipe
3	Drain Pump Outlet
4	Fresh Air Inlet
5	Air Return Grille
6	Air Supply

More than 59 (1500) to wall on all sides



# Haier Arctic Multi Series Submittal

18000 BTU/HR CASSETTE TYPE INDOOR

## AB18SC2VHA

Job Name: \_\_\_\_\_

Purchaser: \_\_\_\_\_

Submitted To: \_\_\_\_\_

Construction: \_\_\_\_\_

Reference: \_\_\_\_\_

Approval: \_\_\_\_\_

Date: \_\_\_\_\_

Submitted By: \_\_\_\_\_

Unit: \_\_\_\_\_

Drawing #: \_\_\_\_\_



### Electrical Requirement

Power Supply	208/230V, 1 Phase, 60 HZ
Operating Voltage Range	187~253 VAC

### Performance

Rated Cooling Capacity	18,000 BTU
Rated Heating Capacity	19,000 BTU

### Piping

Flare Connections	Liquid: 1/4" Vapor: 1/2"
-------------------	-----------------------------

### Indoor Unit

Chassis Uncrated Dimension (HxWxD)	10 1/4 x 22 1/2 x 22 1/2 in (260 x 570 x 570 mm)
Chassis Crated (HxWxD)	15 x 28 1/4 x 26 3/4 in (380 x 718 x 680 mm)
Panel Uncrated Dimension (HxWxD)	2 3/8 x 27 1/2 x 27 1/2 in (60 x 700 x 700 mm)
Panel Crated (HxWxD)	4 1/2 x 29 1/8 x 29 1/2 in (115 x 740 x 750 mm)
Airflow CFM (Turbo/High/Med/Low/Quiet)	470/410/365/295/252
Indoor Sound Level dB (Turbo/High/Med/Low/Quiet)	45/42/40/36/32
Motor Rating (HP)	0.033
Heat Exchanger Fin Type	Blue Fin
Condensate Pump	Included - 47.2 in Lift
Weight (Ship/Net)	48.5/40.8 lbs

## Accessories

### Remote Controller

Ships with Standard Remote Control (YR-HG)

### Compatible Wired Controllers

Simplified Wired Controller (QACT17A)

Programmable Wired Controller (YR-E16B)

### Panel

PB-700KB is required to complete the installation and it must be ordered separately

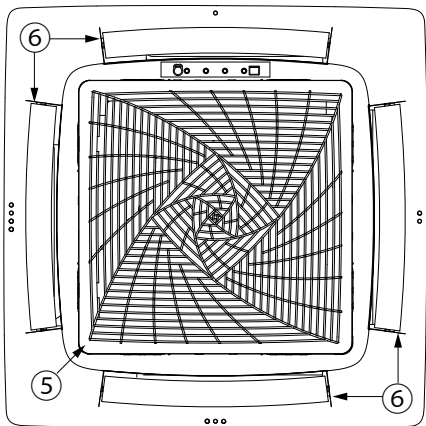


For more information visit us:  
[www.Haierductless.com](http://www.Haierductless.com)  
[www.Haierductlesshelp.com](http://www.Haierductlesshelp.com)

# Haier Arctic Multi Series Submittal

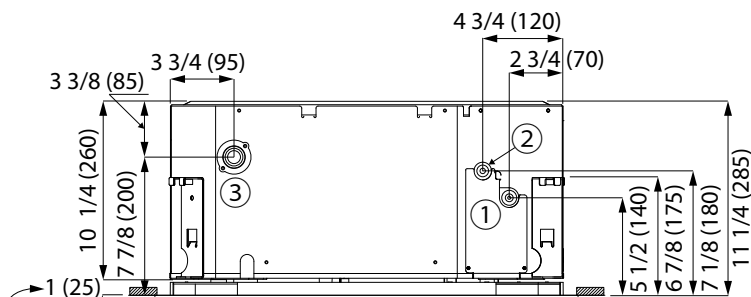
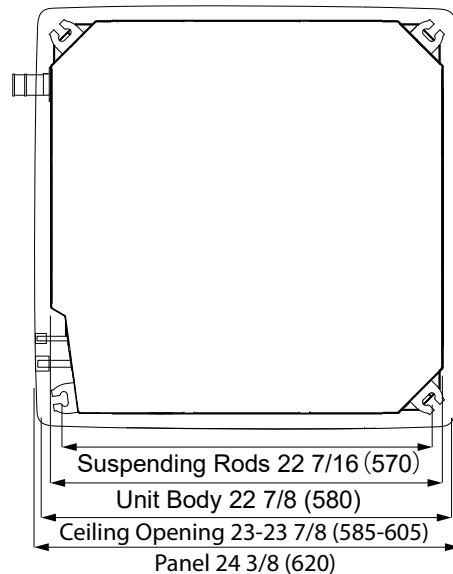
18000 BTU/HR CASSETTE TYPE INDOOR

## AB18SC2VHA

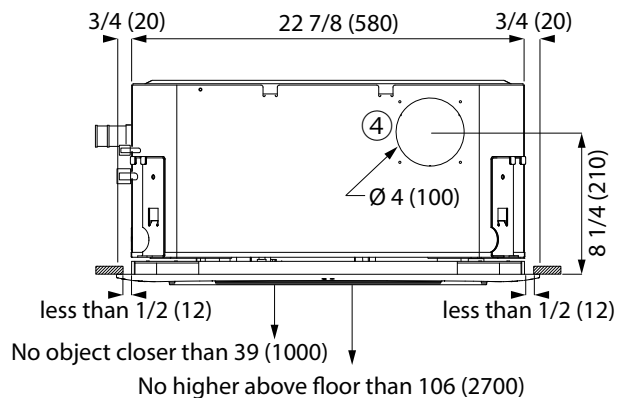


#	Part Name
1	Vapor Pipe
2	Liquid Pipe
3	Drain Pump Outlet
4	Fresh Air Inlet
5	Air Return Grille
6	Air Supply

More than 59 (1500) to wall on all sides



1 inch recess between ceiling surface and bottom of unit without panel on.



# Haier Arctic Multi Series Submittal

24,000 BTU/HR CASSETTE TYPE INDOOR

## AL24LP2VHA

Job Name: \_\_\_\_\_

Purchaser: \_\_\_\_\_

Submitted To: \_\_\_\_\_

Construction: \_\_\_\_\_

Reference: \_\_\_\_\_

Approval: \_\_\_\_\_

Date: \_\_\_\_\_

Submitted By: \_\_\_\_\_

Unit: \_\_\_\_\_

Drawing #: \_\_\_\_\_



### Electrical Requirement

Power Supply	208/230V, 1 Phase, 60 HZ
Operating Voltage Range	187~253 VAC

### Performance

Rated Cooling Capacity	24,000 BTU
Rated Heating Capacity	27,300 BTU

### Piping

Flare Connections	Liquid: 3/8" Vapor: 5/8"
-------------------	-----------------------------

## Accessories

### Remote Controller

Ships with Large Cassette Remote (YR-HBS01)

### Compatible Wired Controllers

Simplified Wired Controller (QACT17A)

Programmable Wired Controller (YR-E16B)

### Panel

PB-950KC is required to complete the installation and it must be ordered separately



For more information visit us:  
[www.Haierductless.com](http://www.Haierductless.com)  
[www.Haierductlesshelp.com](http://www.Haierductlesshelp.com)

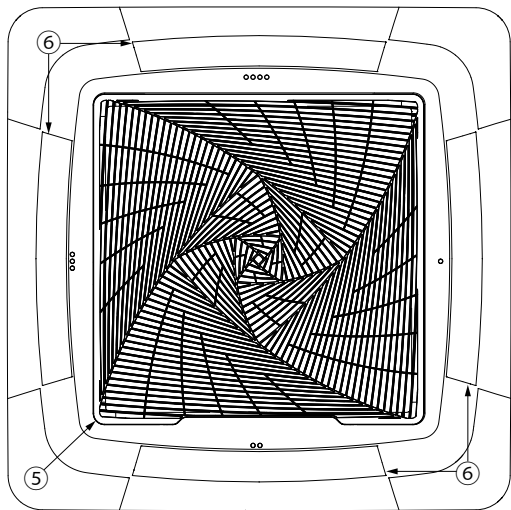
### Indoor Unit

Chassis Uncrated Dimension (HxWxD)	9 5/8 x 33 1/8 x 33 1/8 in (246 x 840 x 840 mm)
Chassis Crated (HxWxD)	12 1/4 x 39 x 39 in (310 x 990 x 990 mm)
Panel Uncrated Dimension (HxWxD)	2 x 37 3/8 x 37 3/8 (50 x 950 x 950 mm)
Panel Crated (HxWxD)	4 3/8 x 39 3/8 x 39 3/8 (110 x 1000 x 1000 mm)
Airflow CFM (Turbo/High/Med/Low/Quiet)	740/630/480/400
Indoor Sound Level dB (Turbo/High/Med/Low/Quiet)	36/33/29/26
Motor Rating (HP)	0.0161
Heat Exchanger Fin Type	Blue Fin
Condensate Pump	Included - 47.2 in Lift
Weight (Ship/Net)	79.4/68.3 lbs

# Haier Arctic Multi Series Submittal

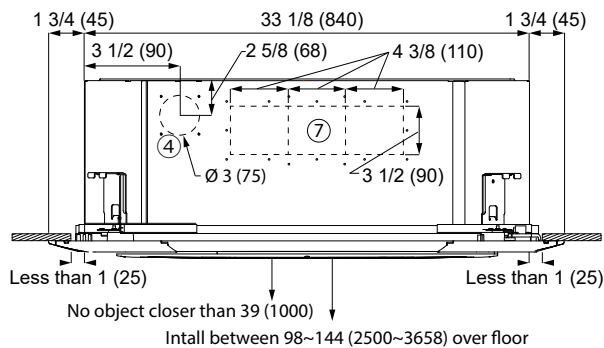
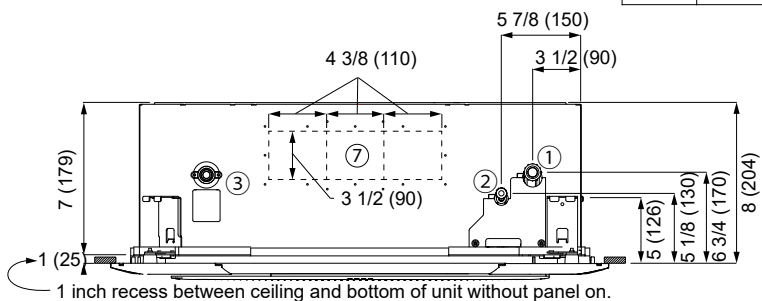
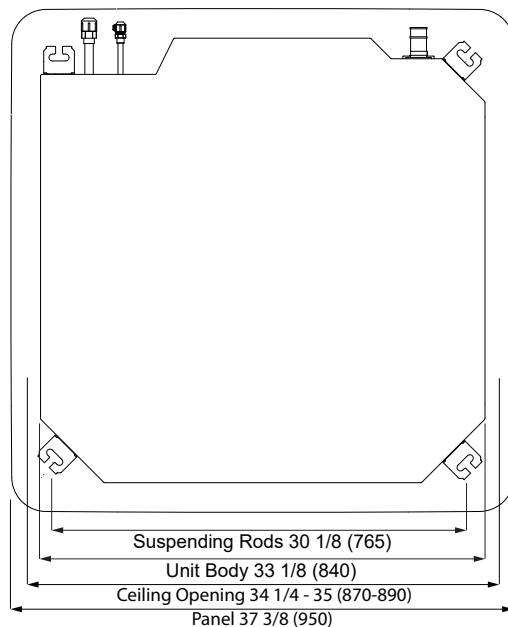
24,000 BTU/HR CASSETTE TYPE INDOOR

## AL24LP2VHA



More than 59 (1500) to wall on all sides

#	Part Name
1	Vapor Pipe
2	Liquid Pipe
3	Drain Pump Outlet
4	Fresh Air Inlet
5	Air Return Grille
6	Air Supply
7	Auxiliary Air Supply



# Haier Arctic Multi Series Submittal

7000 BTU/HR SLIM DUCT TYPE INDOOR

## AD07SL2VHB

Job Name: \_\_\_\_\_

Purchaser: \_\_\_\_\_

Submitted To: \_\_\_\_\_

Construction: \_\_\_\_\_

Reference: \_\_\_\_\_

Approval: \_\_\_\_\_

Date: \_\_\_\_\_

Submitted By: \_\_\_\_\_

Unit: \_\_\_\_\_

Drawing #: \_\_\_\_\_



### Electrical Requirement

Power Supply	208/230V, 1 Phase, 60 HZ
Operating Voltage Range	187~253 VAC

### Performance

Rated Cooling Capacity	7,000 BTU
Rated Heating Capacity	8,000 BTU

### Piping

Flare Connections	Liquid: 1/4" Vapor: 3/8"
-------------------	-----------------------------

### Indoor Unit

Uncrated Dimension (HxWxD)	7 1/4 x 33 1/2 x 16 1/2 in (185 x 850 x 420 mm)
Crated (HxWxD)	10 3/8 x 40 3/4 x 21 1/4 in (265 x 1035 x 540 mm)
Maximum ESP (IWC)	0.16
Airflow CFM (Turbo/High/Med/Low/Quiet)	353/312/270/230/188
Indoor Sound Level dB (Turbo/High/Med/Low/Quiet)	35/33/29/26/21
Motor Rating (HP)	0.066
Heat Exchanger Fin Type	Blue Fin
Condensate Pump	Included - 27.5 in Lift
Weight (Ship/Net)	47.2/36.8 lbs

## Accessories

### Wired Controller

Ships with the Touch Wall Controller (YR-E17)

### Compatible Wired Controllers

Simplified Wired Controller (QACT17A)

Programmable Wired Controller (YR-E16B)

### Panel

Optional motorized supply and return grille accessory:

P1B-890IA(I) and P1B-890IA(O) are available

### Grilles

Return Grille - PAD0890RA

Supply Grille - PAD0890SA



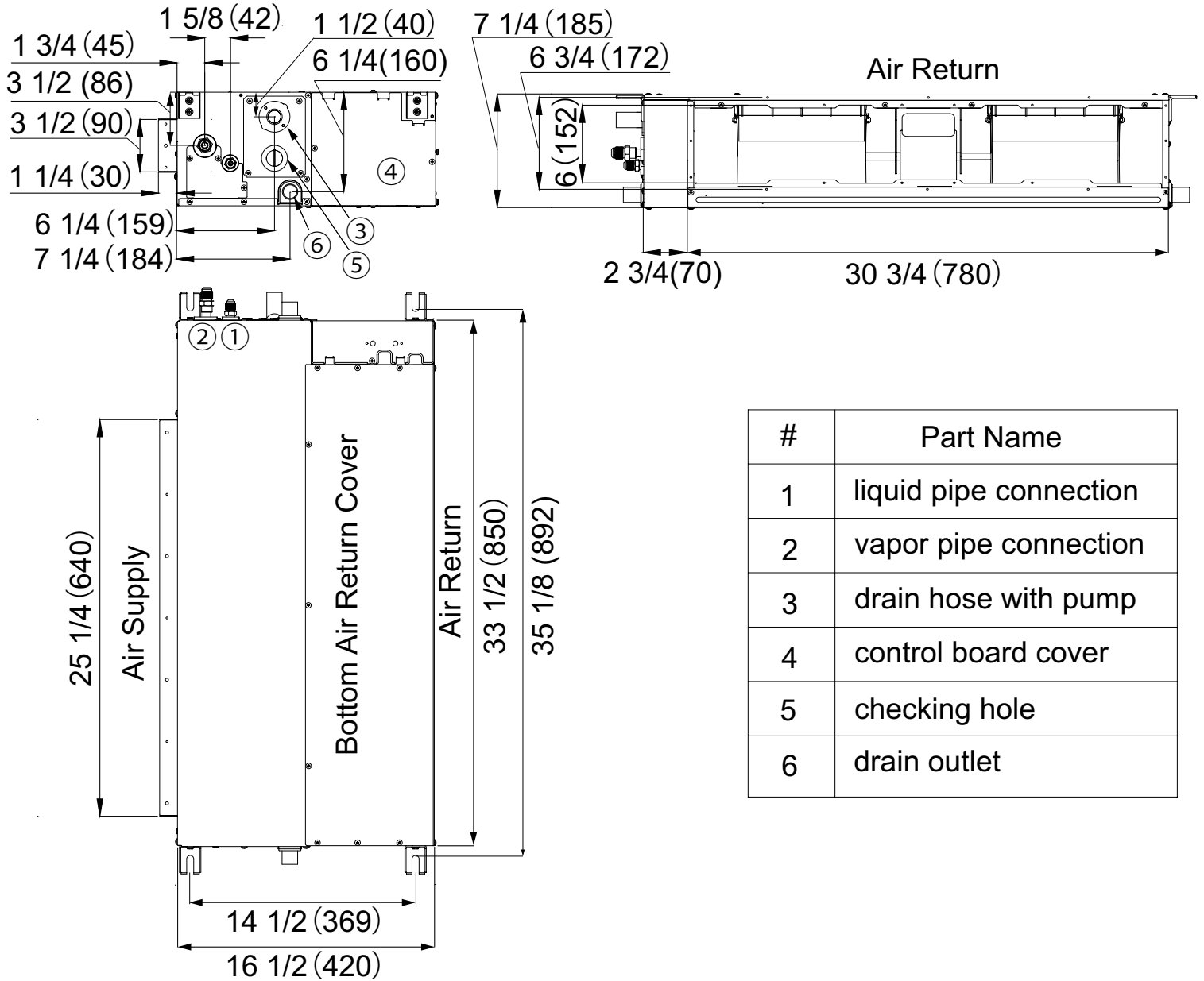
For more information visit us:

[www.Haierductless.com](http://www.Haierductless.com)

[www.Haierductlesshelp.com](http://www.Haierductlesshelp.com)

7000 BTU/HR SLIM DUCT TYPE INDOOR

## AD07SL2VHB



#	Part Name
1	liquid pipe connection
2	vapor pipe connection
3	drain hose with pump
4	control board cover
5	checking hole
6	drain outlet



# Haier Arctic Multi Series Submittal

9000 BTU/HR SLIM DUCT TYPE INDOOR

## AD09SL2VHB

Job Name: \_\_\_\_\_

Purchaser: \_\_\_\_\_

Submitted To: \_\_\_\_\_

Construction: \_\_\_\_\_

Reference: \_\_\_\_\_

Approval: \_\_\_\_\_

Date: \_\_\_\_\_

Submitted By: \_\_\_\_\_

Unit: \_\_\_\_\_

Drawing #: \_\_\_\_\_



### Electrical Requirement

Power Supply	208/230V, 1 Phase, 60 HZ
Operating Voltage Range	187~253 VAC

### Performance

Rated Cooling Capacity	9,000 BTU
Rated Heating Capacity	10,000 BTU

### Piping

Flare Connections	Liquid: 1/4" Vapor: 3/8"
-------------------	-----------------------------

### Indoor Unit

Uncrated Dimension (HxWxD)	7 1/4 x 33 1/2 x 16 1/2 in (185 x 850 x 420 mm)
Crated (HxWxD)	10 3/8 x 40 3/4 x 21 1/4 in (265 x 1035 x 540 mm)
Maximum ESP (IWC)	0.16
Airflow CFM (Turbo/High/Med/Low/Quiet)	353/312/270/230/188
Indoor Sound Level dB (Turbo/High/Med/Low/Quiet)	35/33/29/26/22
Motor Rating (HP)	0.066
Heat Exchanger Fin Type	Blue Fin
Condensate Pump	Included - 27.5 in Lift
Weight (Ship/Net)	47.2/36.8 lbs

## Accessories

### Wired Controller

Ships with the Touch Wall Controller (YR-E17)

### Compatible Wired Controllers

Simplified Wired Controller (QACT17A)

Programmable Wired Controller (YR-E16B)

### Panel

Optional motorized supply and return grille accessory:

P1B-890IA(I) and P1B-890IA(O) are available

### Grilles

Return Grille - PAD0890RA

Supply Grille - PAD0890SA



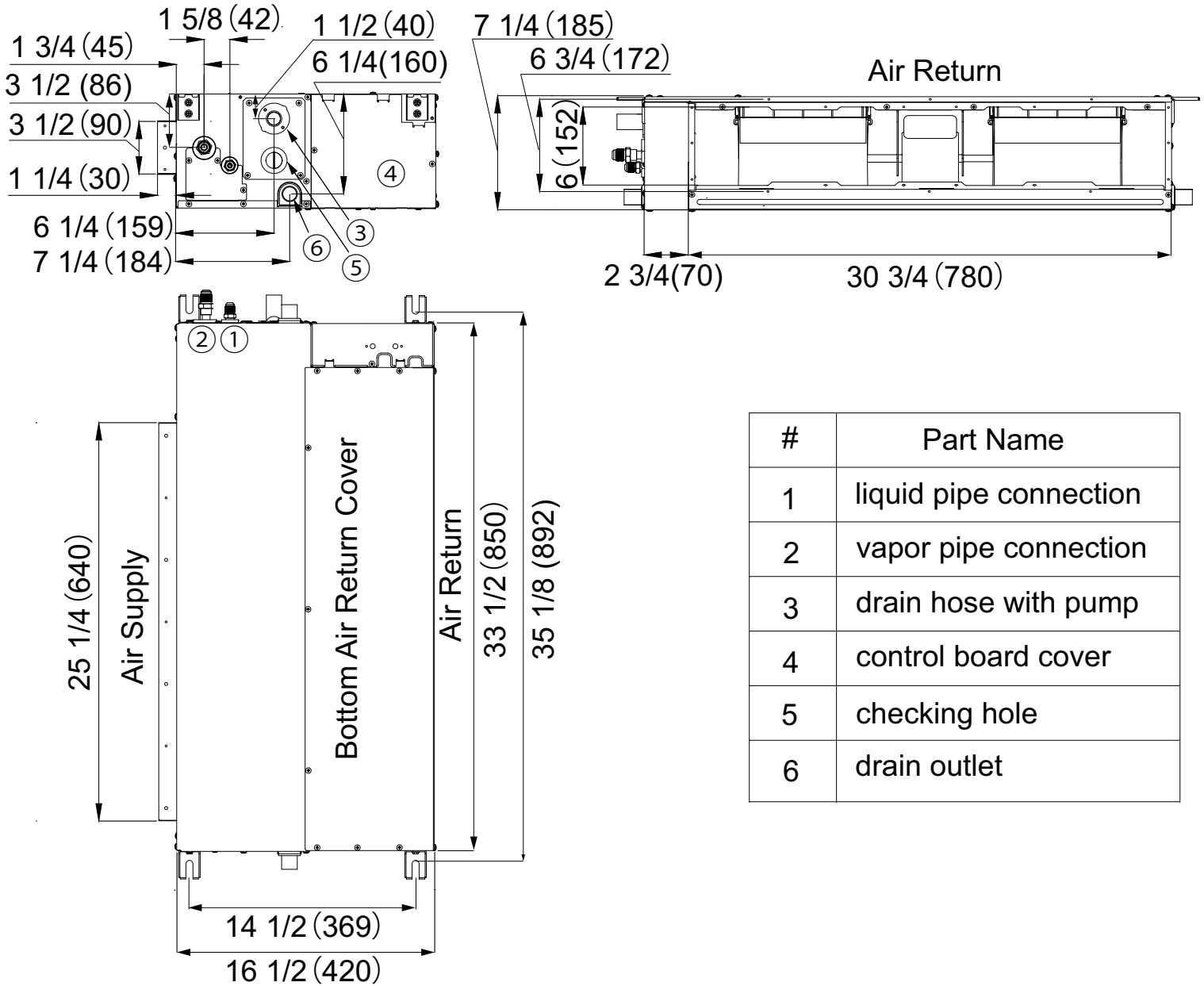
For more information visit us:

[www.Haierductless.com](http://www.Haierductless.com)

[www.Haierductlesshelp.com](http://www.Haierductlesshelp.com)

9000 BTU/HR SLIM DUCT TYPE INDOOR

## AD09SL2VHB



# Haier Arctic Multi Series Submittal

12000 BTU/HR SLIM DUCT TYPE INDOOR

## AD12SL2VHB

Job Name: \_\_\_\_\_

Purchaser: \_\_\_\_\_

Submitted To: \_\_\_\_\_

Construction: \_\_\_\_\_

Reference: \_\_\_\_\_

Approval: \_\_\_\_\_

Date: \_\_\_\_\_

Submitted By: \_\_\_\_\_

Unit: \_\_\_\_\_

Drawing #: \_\_\_\_\_



### Electrical Requirement

Power Supply	208/230V, 1 Phase, 60 HZ
Operating Voltage Range	187~253 VAC

### Performance

Rated Cooling Capacity	12,000 BTU
Rated Heating Capacity	13,000 BTU

### Piping

Flare Connections	Liquid: 1/4" Vapor: 3/8"
-------------------	-----------------------------

### Indoor Unit

Uncrated Dimension (HxWxD)	7 1/4 x 33 1/2 x 16 1/2 in (185 x 850 x 420 mm)
Crated (HxWxD)	10 3/8 x 40 3/4 x 21 1/4 in (265 x 1035 x 540 mm)
Maximum ESP (IWC)	0.16
Airflow CFM (Turbo/High/Med/Low/Quiet)	400/353/282/247/218
Indoor Sound Level dB (Turbo/High/Med/Low/Quiet)	38/35/29/26/23
Motor Rating (HP)	0.085
Heat Exchanger Fin Type	Blue Fin
Condensate Pump	Included - 27.5 in Lift
Weight (Ship/Net)	47.2/36.8 lbs

## Accessories

### Wired Controller

Ships with the Touch Wall Controller (YR-E17)

### Compatible Wired Controllers

Simplified Wired Controller (QACT17A)

Programmable Wired Controller (YR-E16B)

### Panel

Optional motorized supply and return grille accessory:

P1B-890IA(I) and P1B-890IA(O) are available

### Grilles

Return Grille - PAD0890RA

Supply Grille - PAD0890SA



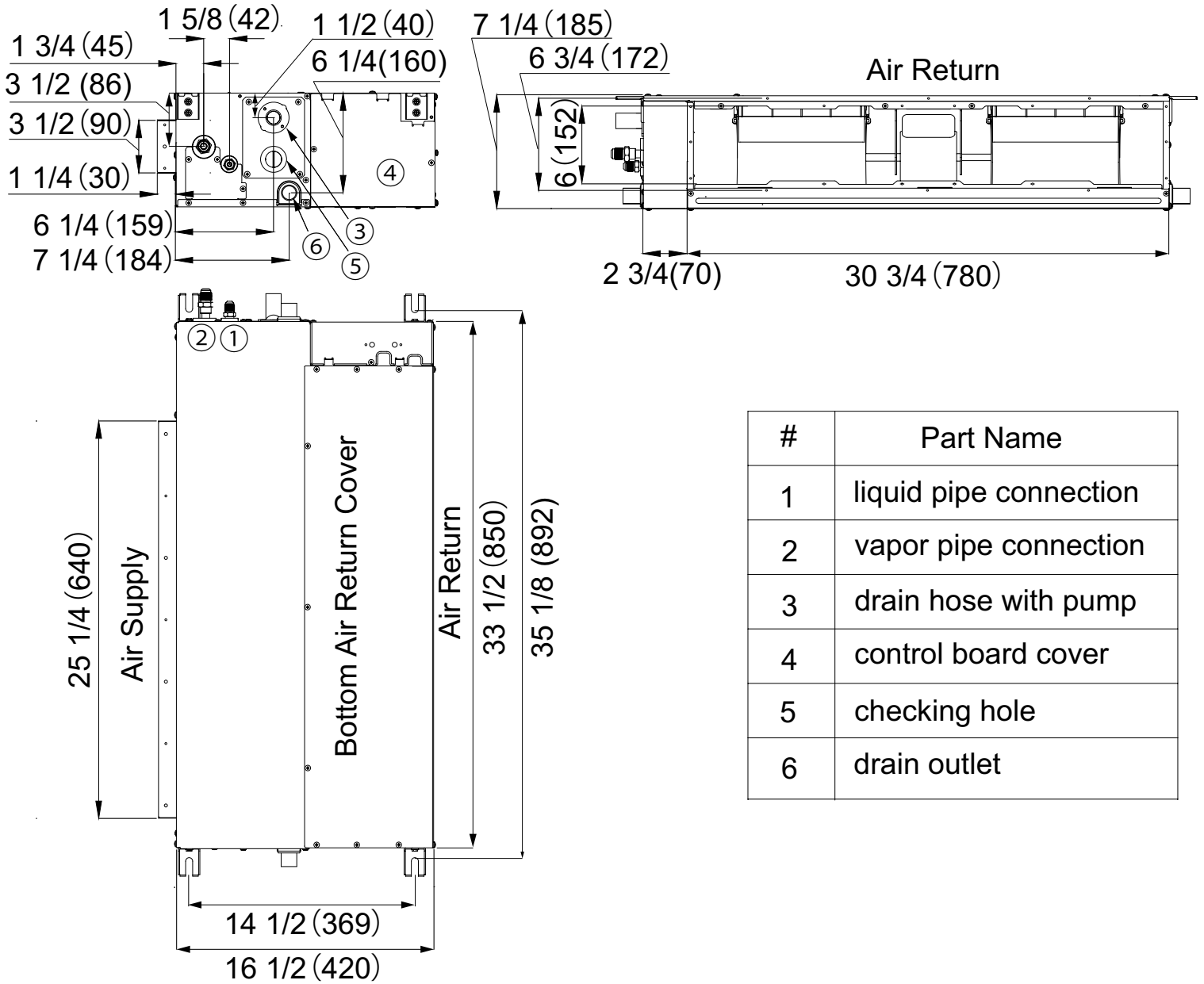
For more information visit us:

[www.Haierductless.com](http://www.Haierductless.com)

[www.Haierductlesshelp.com](http://www.Haierductlesshelp.com)

12000 BTU/HR SLIM DUCT TYPE INDOOR

## AD12SL2VHB



#	Part Name
1	liquid pipe connection
2	vapor pipe connection
3	drain hose with pump
4	control board cover
5	checking hole
6	drain outlet

# Haier Arctic Multi Series Submittal

18000 BTU/HR SLIM DUCT TYPE INDOOR

## AD18SL2VHB

Job Name: \_\_\_\_\_

Purchaser: \_\_\_\_\_

Submitted To: \_\_\_\_\_

Construction: \_\_\_\_\_

Reference: \_\_\_\_\_

Approval: \_\_\_\_\_

Date: \_\_\_\_\_

Submitted By: \_\_\_\_\_

Unit: \_\_\_\_\_

Drawing #: \_\_\_\_\_



### Electrical Requirement

Power Supply	208/230V, 1 Phase, 60 HZ
Operating Voltage Range	187~253 VAC

### Performance

Rated Cooling Capacity	18,000 BTU
Rated Heating Capacity	19,000 BTU

### Piping

Flare Connections	Liquid: 1/4" Vapor: 1/2"
-------------------	-----------------------------

### Indoor Unit

Uncrated Dimension (HxWxD)	7 1/4 x 33 1/2 x 16 1/2 in (185 x 850 x 420 mm)
Crated (HxWxD)	10 3/8 x 40 3/4 x 21 1/4 in (265 x 1035 x 540 mm)
Maximum ESP (IWC)	0.16
Airflow CFM (Turbo/High/Med/Low/Quiet)	540/500/447/365/306
Indoor Sound Level dB (Turbo/High/Med/Low/Quiet)	31/29/23/29/25
Motor Rating (HP)	0.114
Heat Exchanger Fin Type	Blue Fin
Condensate Pump	Included - 27.5 in Lift
Weight (Ship/Net)	62.4/48.5 lbs

## Accessories

### Wired Controller

Ships with the Touch Wall Controller (YR-E17)

### Compatible Wired Controllers

Simplified Wired Controller (QACT17A)

Programmable Wired Controller (YR-E16B)

### Panel

Optional motorized supply and return grille accessory:

P1B-890IA(I) and P1B-890IA(O) are available

### Grilles

Return Grille - PAD1210RA

Supply Grille - PAD1210SA



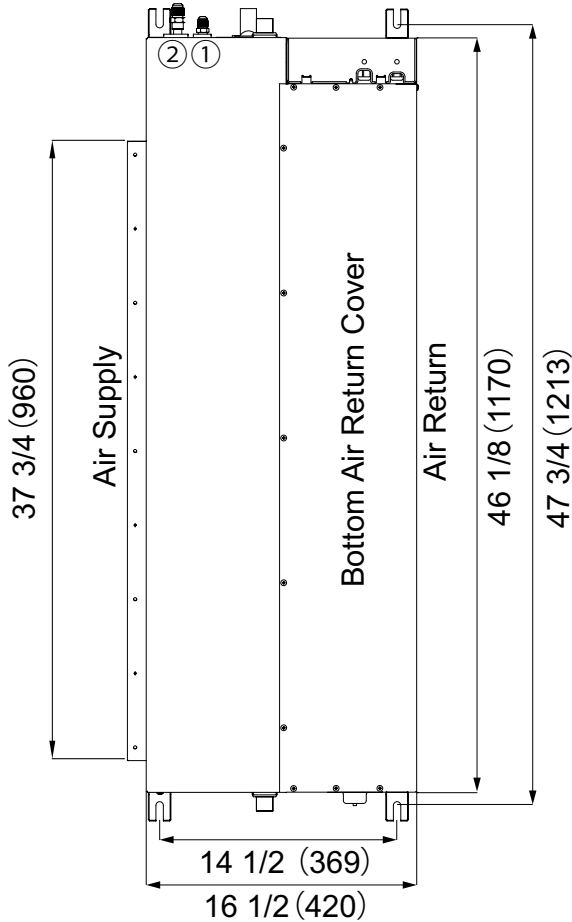
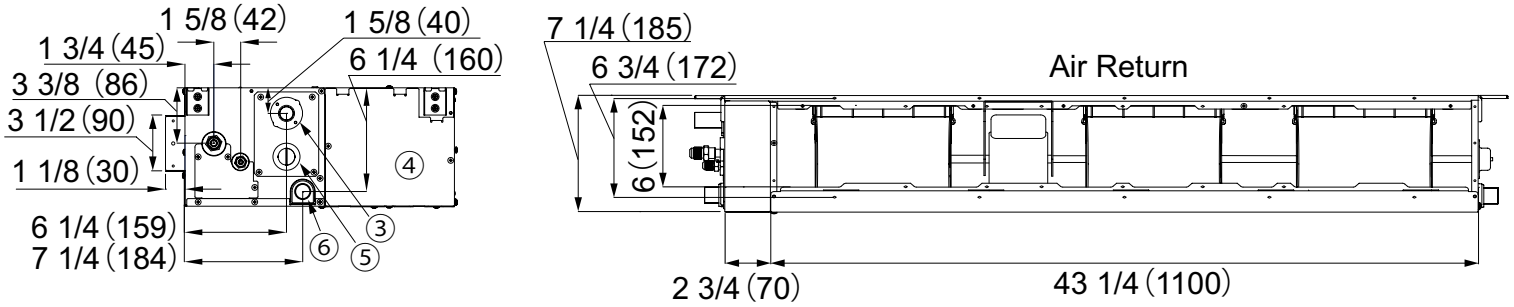
For more information visit us:

[www.Haierductless.com](http://www.Haierductless.com)

[www.Haierductlesshelp.com](http://www.Haierductlesshelp.com)

18000 BTU/HR SLIM DUCT TYPE INDOOR

## AD18SL2VHB



#	Part Name
1	liquid pipe connection
2	vapor pipe connection
3	drain hose with pump
4	control board cover
5	checking hole
6	drain outlet

# Haier Arctic Multi Series Submittal

24000 BTU/HR SLIM DUCT TYPE INDOOR

## AM24LP2VHA

Job Name: \_\_\_\_\_

Purchaser: \_\_\_\_\_

Submitted To: \_\_\_\_\_

Construction: \_\_\_\_\_

Reference: \_\_\_\_\_

Approval: \_\_\_\_\_

Date: \_\_\_\_\_

Submitted By: \_\_\_\_\_

Unit: \_\_\_\_\_

Drawing #: \_\_\_\_\_



### Electrical Requirement

Power Supply	208/230V, 1 Phase, 60 HZ
Operating Voltage Range	187~253 VAC

### Performance

Rated Cooling Capacity	24,000 BTU
Rated Heating Capacity	26,500 BTU

### Piping

Flare Connections	Liquid: 3/8" Vapor: 5/8"
-------------------	-----------------------------

### Indoor Unit

Uncrated Dimension (HxWxD)	9 7/8 x 41 3/8 x 28 3/8 in (250 x 1050 x 720 mm)
Crated (HxWxD)	13 3/8 x 46 1/8 x 33 7/8 in (340 x 1170 x 860 mm)
Maximum ESP (IWC)	0.60
Airflow CFM (Turbo/High/Med/Low/Quiet)	845/670/530/470
Indoor Sound Level dB (Turbo/High/Med/Low/Quiet)	38/35/32/29
Motor Rating (HP)	0.362
Heat Exchanger Fin Type	Blue Fin
Condensate Pump	Included - 27.5 in Lift
Weight (Ship/Net)	81.6/68.8 lbs

## Accessories

### Wired Controller

Ships with the Touch Wall Controller (YR-E17)

### Compatible Wired Controllers

Simplified Wired Controller (QACT17A)

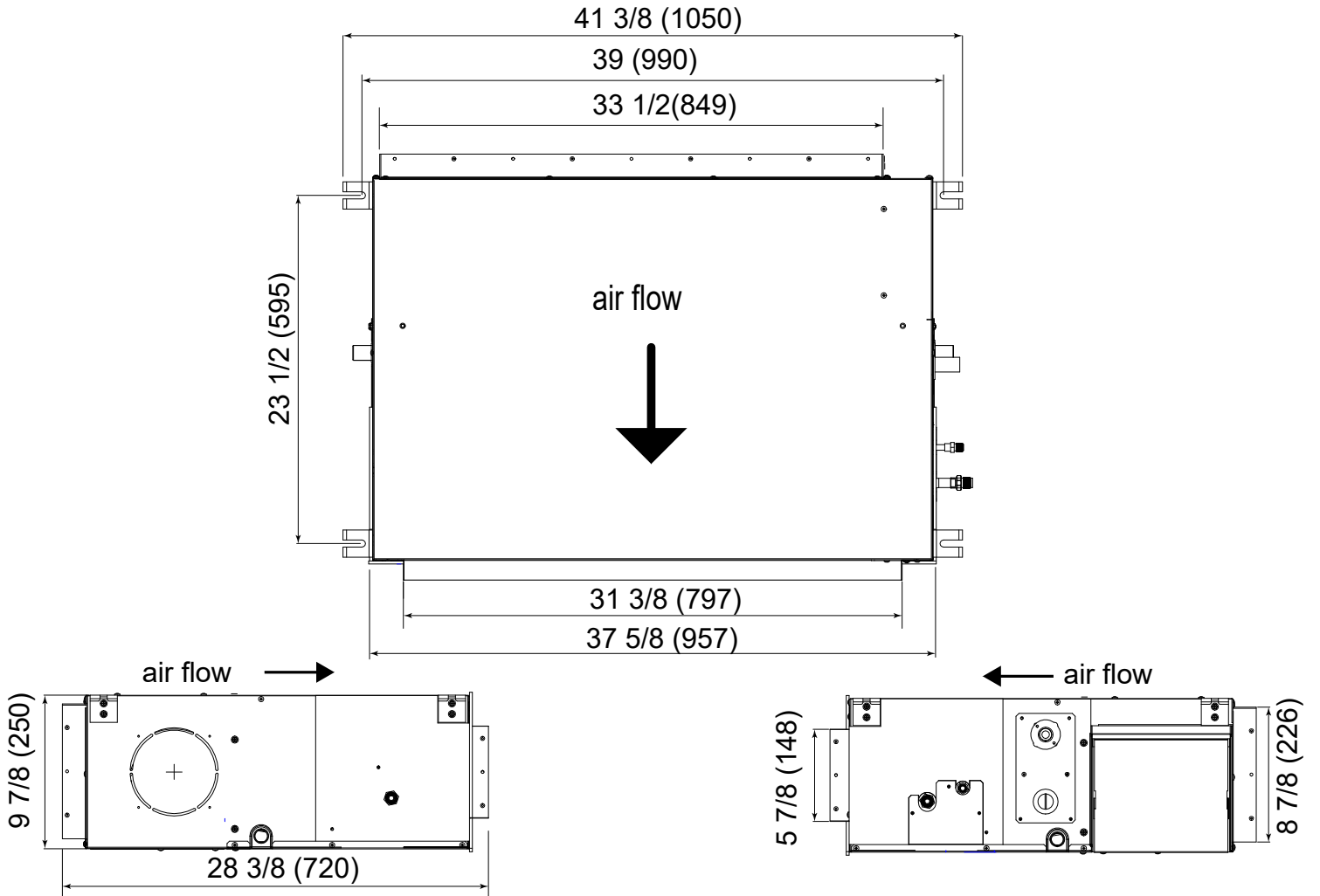
Programmable Wired Controller (YR-E16B)



For more information visit us:  
[www.Haierductless.com](http://www.Haierductless.com)  
[www.Haierductlesshelp.com](http://www.Haierductlesshelp.com)

24000 BTU/HR SLIM DUCT TYPE INDOOR

**AM24LP2VHA**





# Haier Arctic Multi Series Submittal

9000 BTU/HR MID-STATIC DUCTED INDOOR

**USYM09UCDSA**

Job Name: \_\_\_\_\_

Purchaser: \_\_\_\_\_

Submitted To: \_\_\_\_\_

Construction: \_\_\_\_\_

Reference: \_\_\_\_\_

Approval: \_\_\_\_\_

Date: \_\_\_\_\_

Submitted By: \_\_\_\_\_

Unit: \_\_\_\_\_

Drawing #: \_\_\_\_\_



### Electrical Requirement

Power Supply	208/230V, 1 Phase, 60 HZ
Operating Voltage Range	187~253 VAC

### Performance

Rated Cooling Capacity	9,000 BTU
Rated Heating Capacity	10,000 BTU

### Piping

Flare Connections	Liquid: 1/4" Vapor: 3/8"
Drain Pipe	1 1/4"

## Accessories

### Wired Controller

Controller must be ordered separately

### Compatible With

Simplified Wired Controller (QACT17A)

Programmable Wired Controller (YR-E16B)

### Built-in WiFi

### Indoor Unit

Uncrated Dimension (HxWxD)	9 3/4 x 27 1/2 x 27 1/2 in (248 x 700 x 700 mm)
Crated (HxWxD)	13 1/4 x 37 1/2 x 35 1/2 in (340 x 950 x 900 mm)
Maximum ESP (IWC)	0.6
Airflow CFM (Turbo/High/Med/Low)	494/423/352/264
Indoor Sound Level dB (Turbo/High/Med/Low)	35/32/29/26
Motor Rating (HP)	0.18
Heat Exchanger Fin Type	Blue Fin
Condensate Pump	Included - 39 in. Lift
Weight (Ship/Net)	57/66 lbs

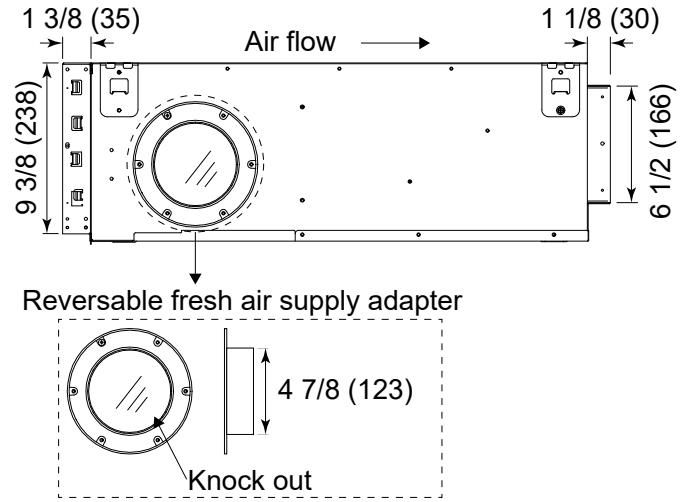
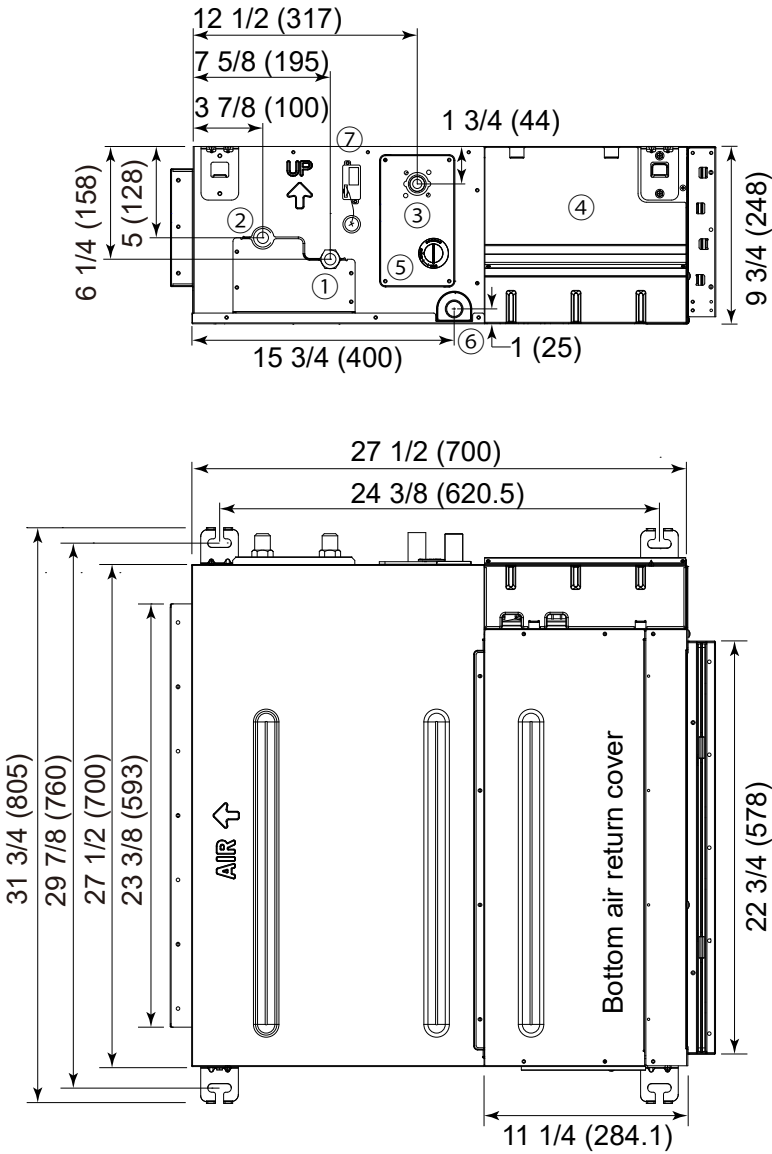


**GE APPLIANCES**  
a Haier company

For more information visit us:  
[www.Haierductless.com](http://www.Haierductless.com)  
[www.Haierductlesshelp.com](http://www.Haierductlesshelp.com)

9000 BTU/HR MID-STATIC DUCTED INDOOR

## USYM09UCDSA



#	Description
1	Liquid pipe connection
2	Vapor pipe connection
3	Drain pump outlet
4	Control board cover
5	Inspection hole
6	Gravity drain outlet
7	WiFi module

# Haier Arctic Multi Series Submittal

12000 BTU/HR MID-STATIC DUCTED INDOOR

## USYM12UCDSA

Job Name: \_\_\_\_\_

Purchaser: \_\_\_\_\_

Submitted To: \_\_\_\_\_

Construction: \_\_\_\_\_

Reference: \_\_\_\_\_

Approval: \_\_\_\_\_

Date: \_\_\_\_\_

Submitted By: \_\_\_\_\_

Unit: \_\_\_\_\_

Drawing #: \_\_\_\_\_



### Electrical Requirement

Power Supply	208/230V, 1 Phase, 60 HZ
Operating Voltage Range	187~253 VAC

### Performance

Rated Cooling Capacity	12,000 BTU
Rated Heating Capacity	13,000 BTU

### Piping

Flare Connections	Liquid: 1/4" Vapor: 3/8"
Drain Pipe	1 1/4"

## Accessories

### Wired Controller

Controller must be ordered separately

### Compatible With

Simplified Wired Controller (QACT17A)

Programmable Wired Controller (YR-E16B)

### Built-in WiFi

### Indoor Unit

Uncrated Dimension (HxWxD)	9 3/4 x 27 1/2 x 27 1/2 in (248 x 700 x 700 mm)
Crated (HxWxD)	13 1/4 x 37 1/2 x 35 1/2 in (340 x 950 x 900 mm)
Maximum ESP (IWC)	0.6
Airflow CFM (Turbo/High/Med/Low)	494/423/352/264
Indoor Sound Level dB (Turbo/High/Med/Low)	35/32/29/26
Motor Rating (HP)	0.18
Heat Exchanger Fin Type	Blue Fin
Condensate Pump	Included - 39 in. Lift
Weight (Ship/Net)	57/66 lbs

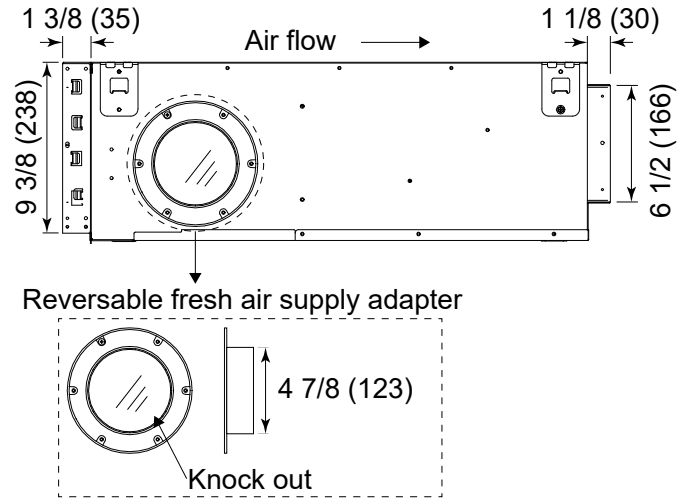
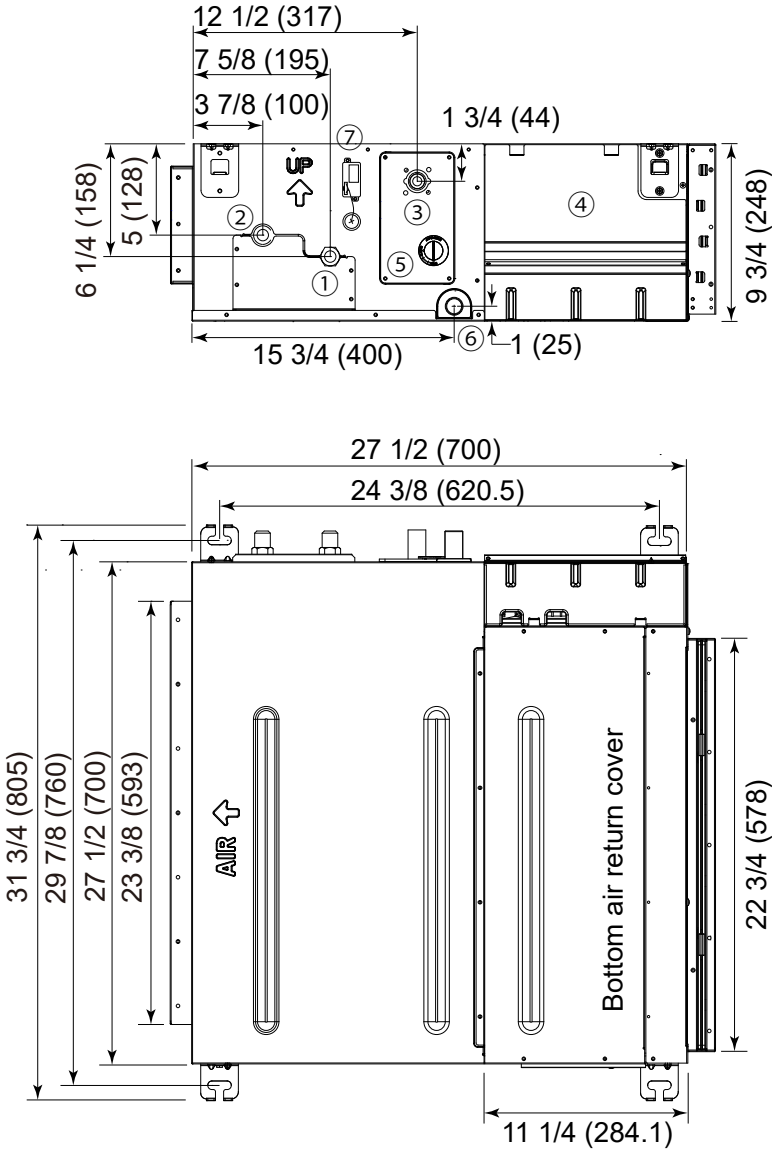


**GE APPLIANCES**  
a Haier company

For more information visit us:  
[www.Haierductless.com](http://www.Haierductless.com)  
[www.Haierductlesshelp.com](http://www.Haierductlesshelp.com)

12000 BTU/HR MID-STATIC DUCTED INDOOR

## USYM12UCDSA



#	Description
1	Liquid pipe connection
2	Vapor pipe connection
3	Drain pump outlet
4	Control board cover
5	Inspection hole
6	Gravity drain outlet
7	WiFi module

# Haier Arctic Multi Series Submittal

18000 BTU/HR MID-STATIC DUCTED INDOOR

## USYM18UCDSA

Job Name: \_\_\_\_\_

Purchaser: \_\_\_\_\_

Submitted To: \_\_\_\_\_

Construction: \_\_\_\_\_

Reference: \_\_\_\_\_

Approval: \_\_\_\_\_

Date: \_\_\_\_\_

Submitted By: \_\_\_\_\_

Unit: \_\_\_\_\_

Drawing #: \_\_\_\_\_



### Electrical Requirement

Power Supply	208/230V, 1 Phase, 60 HZ
Operating Voltage Range	187~253 VAC

### Performance

Rated Cooling Capacity	18,000 BTU
Rated Heating Capacity	19,000 BTU

### Piping

Flare Connections	Liquid: 1/4" Vapor: 1/2"
Drain Pipe	1 1/4"

## Accessories

### Wired Controller

Controller must be ordered separately

### Compatible With

Simplified Wired Controller (QACT17A)

Programmable Wired Controller (YR-E16B)

### Built-in WiFi

### Indoor Unit

Uncrated Dimension (HxWxD)	9 3/4 x 43 1/4 x 27 1/2 in (248 x 1100 x 700 mm)
Crated (HxWxD)	13 1/2 x 46 x 33 3/4 in (340 x 1170 x 860 mm)
Maximum ESP (IWC)	0.6
Airflow CFM (Turbo/High/Med/Low)	635/529/458/388
Indoor Sound Level dB (Turbo/High/Med/Low)	37/34/32/29
Heat Exchanger Fin Type	Blue Fin
Motor Rating (HP)	0.27
Condensate Pump	Included - 39 in. Lift
Weight (Ship/Net)	70/77 lbs

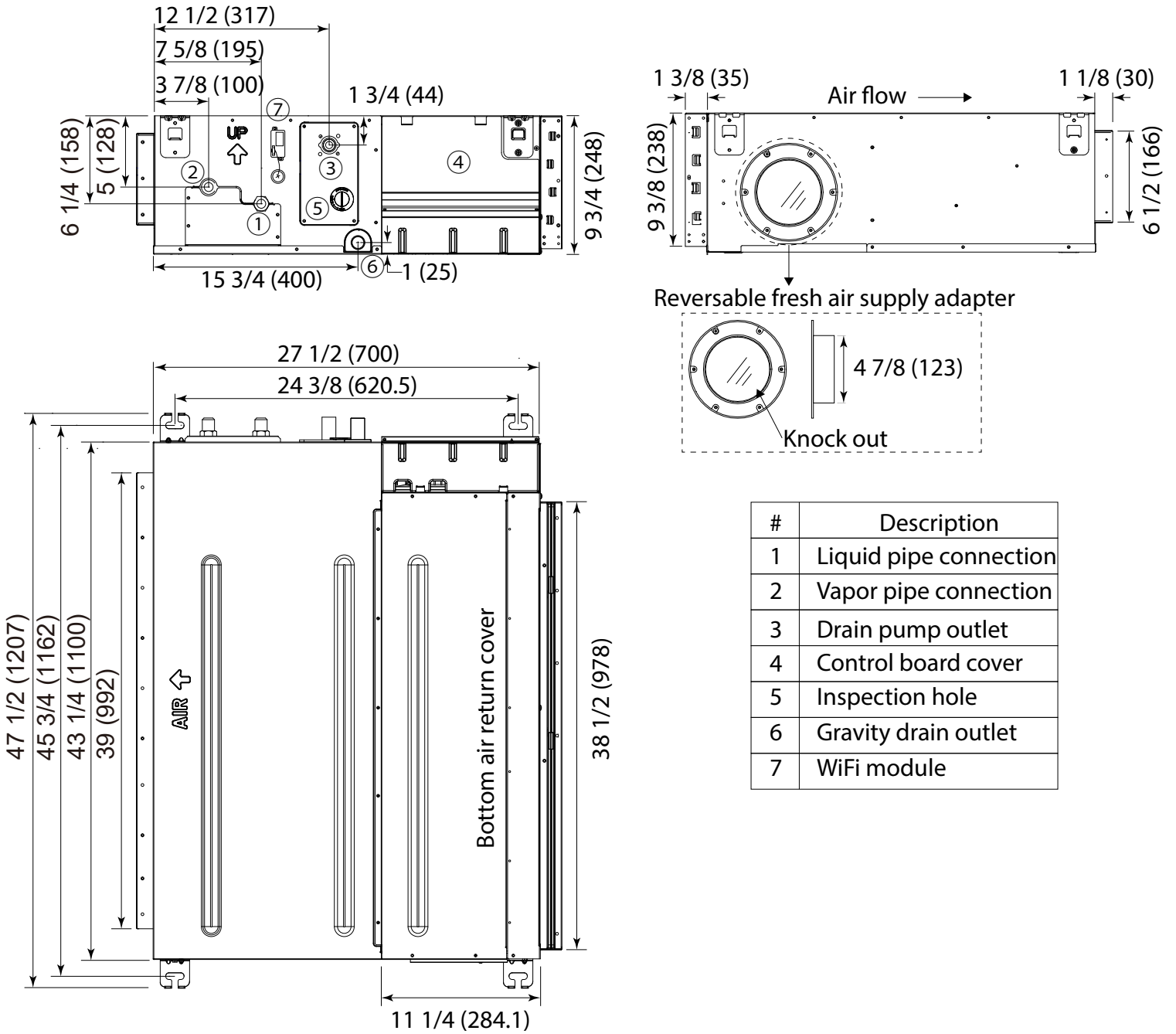


**GE APPLIANCES**  
a Haier company

For more information visit us:  
[www.Haierductless.com](http://www.Haierductless.com)  
[www.Haierductlesshelp.com](http://www.Haierductlesshelp.com)

18000 BTU/HR MID-STATIC DUCTED INDOOR

## USYM18UCDSA



#	Description
1	Liquid pipe connection
2	Vapor pipe connection
3	Drain pump outlet
4	Control board cover
5	Inspection hole
6	Gravity drain outlet
7	WiFi module

# Haier Arctic Multi Series Submittal

24000 BTU/HR MID-STATIC DUCTED INDOOR

## USYM24UCDSA

Job Name: \_\_\_\_\_

Purchaser: \_\_\_\_\_

Submitted To: \_\_\_\_\_

Construction: \_\_\_\_\_

Reference: \_\_\_\_\_

Approval: \_\_\_\_\_

Date: \_\_\_\_\_

Submitted By: \_\_\_\_\_

Unit: \_\_\_\_\_

Drawing #: \_\_\_\_\_



### Electrical Requirement

Power Supply	208/230V, 1 Phase, 60 HZ
Operating Voltage Range	187~253 VAC

### Performance

Rated Cooling Capacity	24,000 BTU
Rated Heating Capacity	25,000 BTU

### Piping

Flare Connections	Liquid: 3/8" Vapor: 5/8"
Drain Pipe	1 1/4"

## Accessories

### Wired Controller

Controller must be ordered separately

### Compatible With

Simplified Wired Controller (QACT17A)

Programmable Wired Controller (YR-E16B)

### Built-in WiFi

### Indoor Unit

Uncrated Dimension (HxWxD)	9 3/4 x 43 1/4 x 27 1/2 in (248 x 1100 x 700 mm)
Crated (HxWxD)	13 1/2 x 46 x 33 3/4 in (340 x 1170 x 860 mm)
Maximum ESP (IWC)	0.6
Airflow CFM (Turbo/High/Med/Low)	845/670/530/470
Indoor Sound Level dB (Turbo/High/Med/Low)	39/36/33/30
Motor Rating (HP)	0.27
Heat Exchanger Fin Type	Blue Fin
Condensate Pump	Included - 39 in. Lift
Weight (Ship/Net)	70/77 lbs



**GE APPLIANCES**  
a Haier company

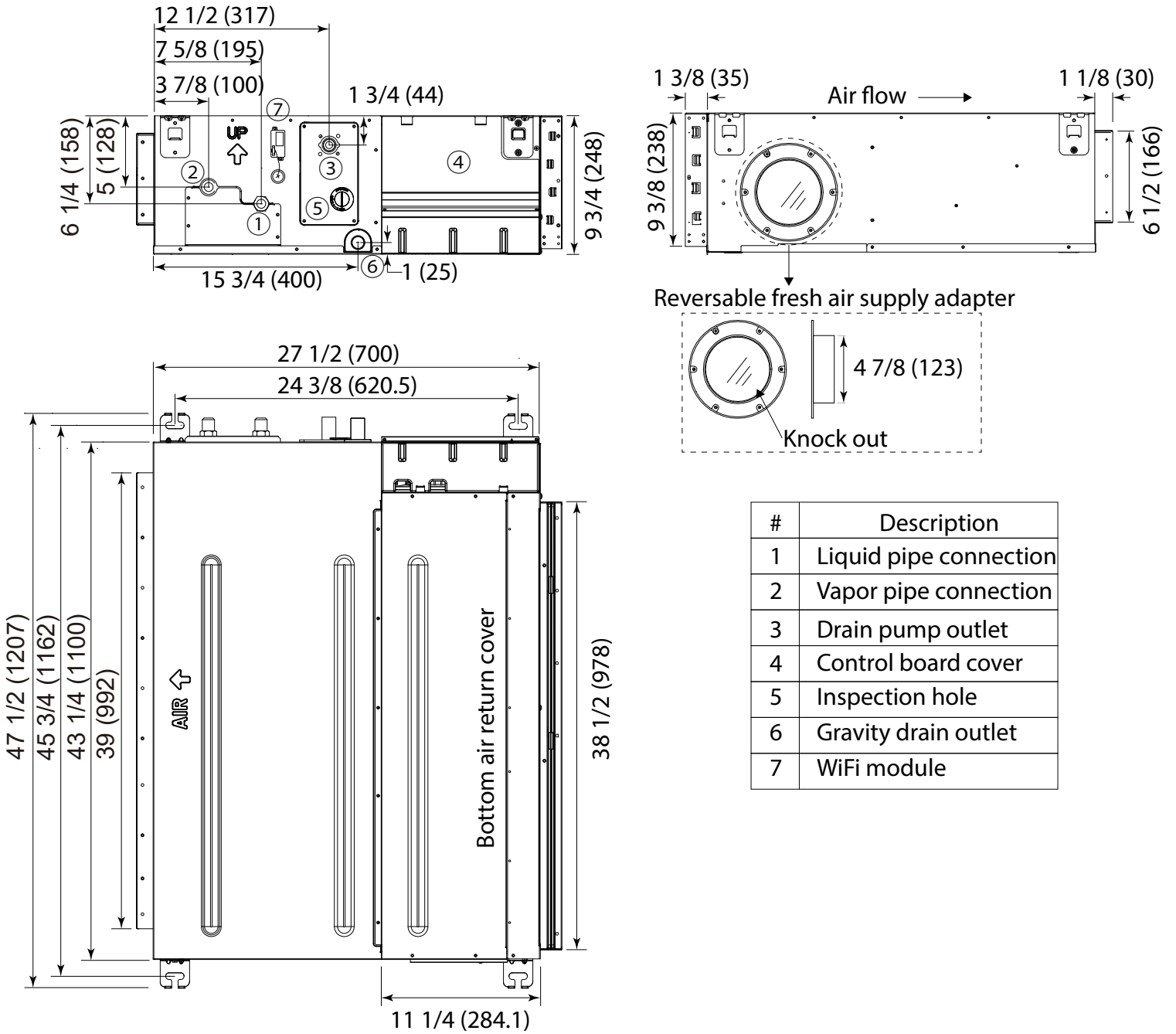
For more information visit us:

[www.Haierductless.com](http://www.Haierductless.com)

[www.Haierductlesshelp.com](http://www.Haierductlesshelp.com)

24000 BTU/HR MID-STATIC DUCTED INDOOR

## USYM24UCDSA



#	Description
1	Liquid pipe connection
2	Vapor pipe connection
3	Drain pump outlet
4	Control board cover
5	Inspection hole
6	Gravity drain outlet
7	WiFi module



# Haier Arctic Multi Series Submittal

9000 BTU/HR FLOOR CONSOLE INDOOR

**USYF09UCDWA**

Job Name: \_\_\_\_\_

Purchaser: \_\_\_\_\_

Submitted To: \_\_\_\_\_

Construction: \_\_\_\_\_

Reference: \_\_\_\_\_

Approval: \_\_\_\_\_

Date: \_\_\_\_\_

Submitted By: \_\_\_\_\_

Unit: \_\_\_\_\_

Drawing #: \_\_\_\_\_



Electrical Requirement	
Power Supply	208/230V, 1 Phase, 60 HZ
Operating Voltage Range	187~253 VAC

Performance	
Rated Cooling Capacity	9,000 BTU
Rated Heating Capacity	10,000 BTU

Piping	
Flare Connections	Liquid: 1/4" Vapor: 3/8"
Drain Pipe	5/8"

Indoor Unit	
Uncrated Dimension (HxWxD)	23 3/4 x 27 1/2 x 8 1/4 in (600 x 700 x 210 mm)
Crated (HxWxD)	27 1/2 x 30 3/4 x 12 in (695 x 783 x 303 mm)
Airflow CFM (Turbo/High/Med/Low)	264/235/205/176
Indoor Sound Level dB (Turbo/High/Med/Low)	40/32/25/20
Motor Rating (HP)	0.04
Heat Exchanger Fin Type	Blue Fin
Weight (Ship/Net)	36/40 lbs

## Accessories

### Remote Controller

Ships with Standard Remote Control (YR-HG)

### Compatible With

Simplified Wired Controller (QACT17A)

Programmable Wired Controller (YR-E16B)

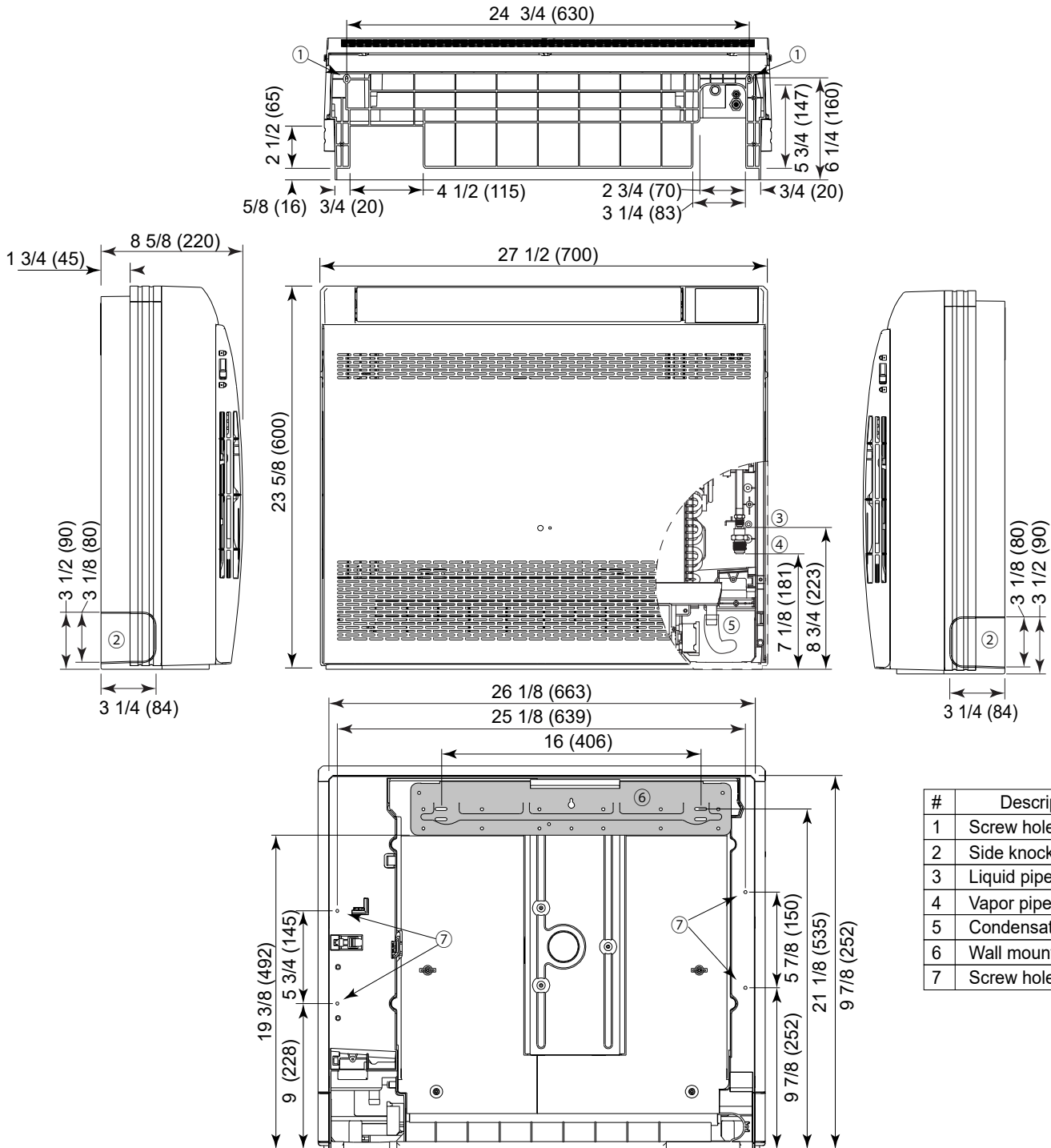
### Built-in WiFi



For more information visit us:  
[www.Haierductless.com](http://www.Haierductless.com)  
[www.Haierductlesshelp.com](http://www.Haierductlesshelp.com)

9000 BTU/HR FLOOR CONSOLE INDOOR

**USYF09UCDWA**



#	Description
1	Screw holes for floor install
2	Side knockout
3	Liquid pipe connection
4	Vapor pipe connection
5	Condensate drain
6	Wall mounting plate
7	Screw holes for wall install

# Haier Arctic Multi Series Submittal

12000 BTU/HR FLOOR CONSOLE INDOOR

**USYF12UCDWA**

Job Name: \_\_\_\_\_

Purchaser: \_\_\_\_\_

Submitted To: \_\_\_\_\_

Construction: \_\_\_\_\_

Reference: \_\_\_\_\_

Approval: \_\_\_\_\_

Date: \_\_\_\_\_

Submitted By: \_\_\_\_\_

Unit: \_\_\_\_\_

Drawing #: \_\_\_\_\_



Electrical Requirement	
Power Supply	208/230V, 1 Phase, 60 HZ
Operating Voltage Range	187~253 VAC

Performance	
Rated Cooling Capacity	12,000 BTU
Rated Heating Capacity	13,000 BTU

Piping	
Flare Connections	Liquid: 1/4" Vapor: 3/8"
Drain Pipe	5/8"

Indoor Unit	
Uncrated Dimension (HxWxD)	23 3/4 x 27 1/2 x 8 1/4 in (600 x 700 x 210 mm)
Crated (HxWxD)	27 1/2 x 30 3/4 x 12 in (695 x 783 x 303 mm)
Airflow CFM (Turbo/High/Med/Low)	294/264/235/176
Indoor Sound Level dB (Turbo/High/Med/Low)	42/34/26/21
Motor Rating (HP)	0.04
Heat Exchanger Fin Type	Blue Fin
Weight (Ship/Net)	36/40 lbs

## Accessories

### Remote Controller

Ships with Standard Remote Control (YR-HG)

### Compatible With

Simplified Wired Controller (QACT17A)

Programmable Wired Controller (YR-E16B)

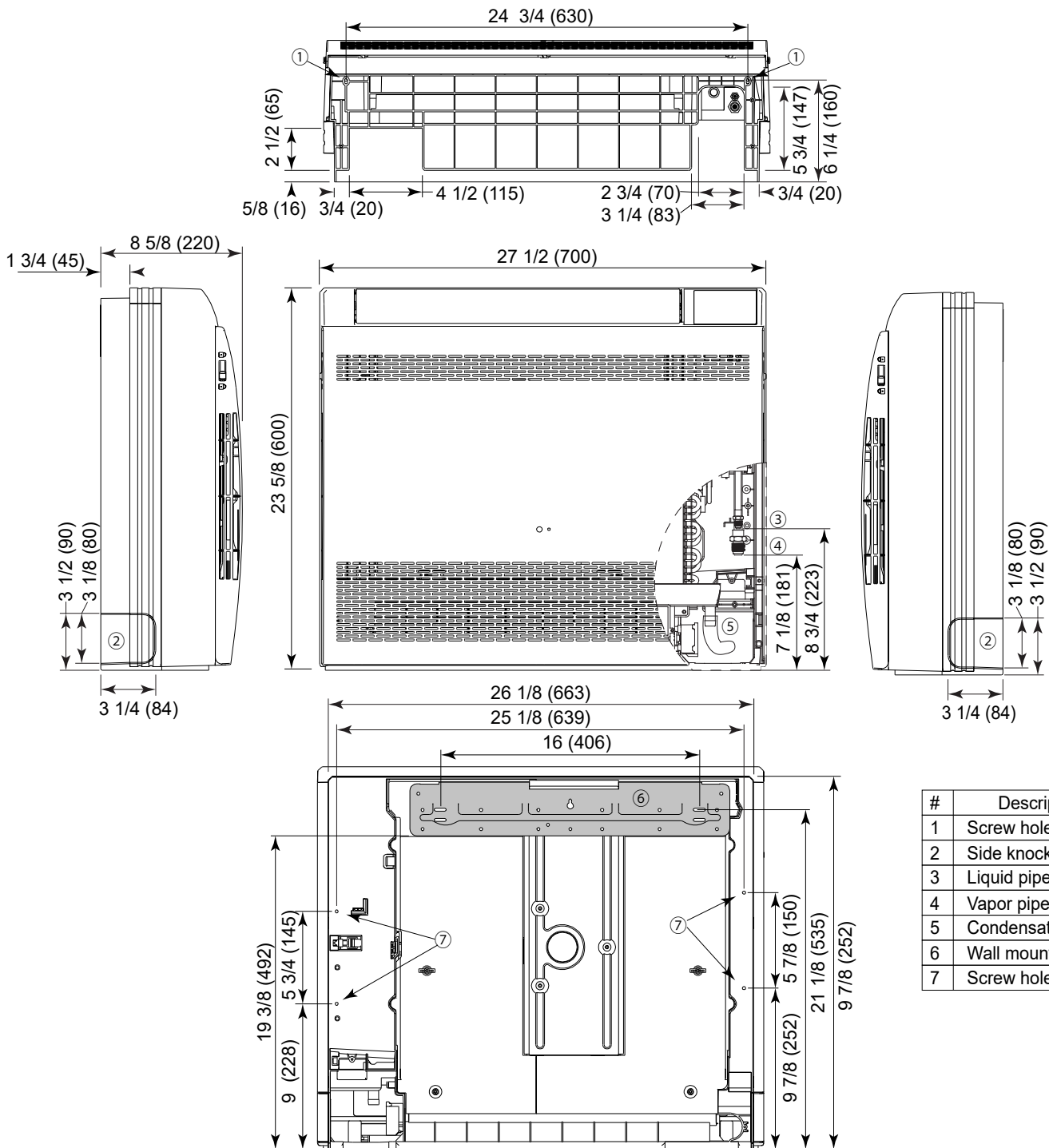
### Built-in WiFi



For more information visit us:  
[www.Haierductless.com](http://www.Haierductless.com)  
[www.Haierductlesshelp.com](http://www.Haierductlesshelp.com)

12000 BTU/HR FLOOR CONSOLE INDOOR

## USYF12UCDWA



# Haier Arctic Multi Series Submittal

15000 BTU/HR FLOOR CONSOLE INDOOR

## USYF18UCDWA

Job Name: \_\_\_\_\_

Purchaser: \_\_\_\_\_

Submitted To: \_\_\_\_\_

Construction: \_\_\_\_\_

Reference: \_\_\_\_\_

Approval: \_\_\_\_\_

Date: \_\_\_\_\_

Submitted By: \_\_\_\_\_

Unit: \_\_\_\_\_

Drawing #: \_\_\_\_\_



### Electrical Requirement

Power Supply	208/230V, 1 Phase, 60 HZ
Operating Voltage Range	187~253 VAC

### Performance

Rated Cooling Capacity	15,000 BTU
Rated Heating Capacity	18,000 BTU

### Piping

Flare Connections	Liquid: 1/4" Vapor: 1/2"
Drain Pipe	5/8"

### Indoor Unit

Uncrated Dimension (HxWxD)	23 3/4 x 27 1/2 x 8 1/4 in (600 x 700 x 210 mm)
Crated (HxWxD)	27 1/2 x 30 3/4 x 12 in (695 x 783 x 303 mm)
Airflow CFM (Turbo/High/Med/Low)	341/311/282/252
Indoor Sound Level dB (Turbo/High/Med/Low)	46/37/33/28
Motor Rating (HP)	0.04
Heat Exchanger Fin Type	Blue Fin
Weight (Ship/Net)	36/40 lbs

## Accessories

### Remote Controller

Ships with Standard Remote Control (YR-HG)

### Compatible With

Simplified Wired Controller (QACT17A)

Programmable Wired Controller (YR-E16B)

### Built-in WiFi



For more information visit us:  
[www.Haierductless.com](http://www.Haierductless.com)  
[www.Haierductlesshelp.com](http://www.Haierductlesshelp.com)

15000 BTU/HR FLOOR CONSOLE INDOOR

## USYF18UCDWA

