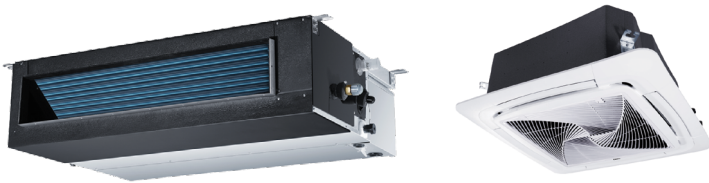


Haier

Submittals

FlexFit Pro Single Series

Rev. Sept. 2020



1U24LP2VHA / AW24LP2VHA

1U24LP2VHA / AM24LP2VHA

1U24LP2VHA / AL24LP2VHA

1U36LP2VHA / AW36LP2VHA

1U36LP2VHA / AM36LP2VHA

1U36LP2VHA / AL36LP2VHA

1U48LP2VHA / AM48LP2VHA

1U48LP2VHA / AL48LP2VHA



For more information visit us:
www.Haierductless.com
www.Haierductlesshelp.com



Revision History

Rev. April 2017 - Edition release

Rev. May 2017 - AM24LP2VHA dimension diagram correction; AL48LP2VHA cooling capacity correction.

Rev. April 2018 - Added Motor Ratings (all models), Condensate Pump Lift (AM24LP2VHA, AM36LP2VHA, AM48LP2VHA, AL24LP2VHA, AL36LP2VHA, AL48LP2VHA); Maximum ESP (AM24LP2VHA, AM36LP2VHA, AM48LP2VHA); Dimension diagram updates (AM24LP2VHA, AL models).

Rev. Feb 2019 - Corrected controller compatibility for 1U24LP2VHA / AM24LP2VHA, 1U36LP2VHA / AM36LP2VHA, 1U48LP2VHA / AM48LP2VHA

Rev. May 2019 - Accessories & electrical requirement update.

Rev. Aug. 2020 - Controller updates.

Rev. Sept. 2020 - 1U24LP2VHA / AW24LP2VHA HSPF changed to 10.5

Haier FlexFit Pro Single Submittal

24000 BTU/HR WALL MOUNTED INVERTER DRIVEN HEAT PUMP SYSTEM

1U24LP2VHA / AW24LP2VHA

Job Name: _____

Purchaser: _____

Submitted To: _____

Construction: _____

Reference: _____

Approval: _____

Date: _____

Submitted By: _____

Unit: _____

Drawing #: _____



Accessories

Remote Controller

Ships with Primary Remote Control

Wired Controller

Compatible with Touch Wall Controller (discontinued), Programmable Wired Controller, and Simple Wired Controller. All wired controllers require interface kit WK-B.

WiFi

Compatible with WiFi Module.

Wind Baffle

Uses wind baffle QAWB42A

Electrical Requirement

Power Supply	208/230V, 1 Phase, 60 HZ
Operating Voltage Range	187~253 VAC
Recommended Fuse/Breaker Size	25A
MCA	21A

Connecting cable to indoor units must be 14/4 AWG unshielded stranded copper. Cable must be ran continuous, without splicing.

Operating Range

Cooling	0~115°F (-18~46°C)
Heating	-4~75°F (-20~24°C)

Cooling Performance

Rated Cooling Capacity	24,000 BTU
Cooling Capacity Range	6,800~24,100 BTU
Rated Power input	2,182 W
SEER	17.0
EER	10.0

Heating Performance

Rated Heating Capacity	27,000 BTU
Heating Capacity Range	6,800~34,100 BTU
HSPF	10.5

Pipe Length

Minimum Pipe Length	6 ft
Maximum Pipe Length	165 ft
Maximum Pipe Height Difference	100 ft
Connection	3/8" (Discharge) 5/8" (Suction) Flare



For more information visit us:
www.Haierductless.com
www.Haierductlesshelp.com



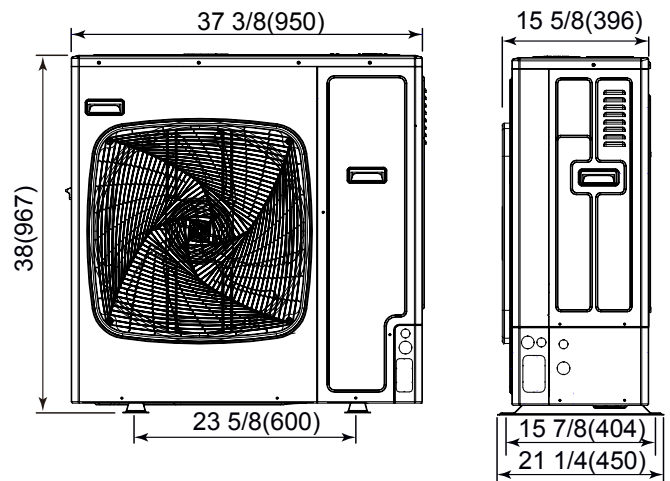
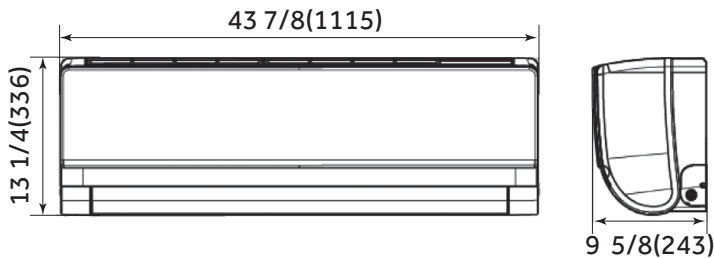
Haier FlexFit Pro Single Submittal

24000 BTU/HR WALL MOUNTED INVERTER DRIVEN HEAT PUMP SYSTEM

1U24LP2VHA / AW24LP2VHA

Indoor Unit	
Uncrated Dimension (HxWxD)	14 3/8 x 43 7/8 x 9 5/8 in (366 x 1115 x 243 mm)
Crated (HxWxD)	16 1/2 x 47 1/2 x 13 1/2 in (418 x 1206 x 342 mm)
Airflow CFM (Turbo/High/Med/Low/Quiet)	710/650/560/440/410
Indoor Sound Level dB (Turbo/High/Med/Low/Quiet)	49/47/42/36/34
Motor Rating (HP)	0.094
Heat Exchanger Fin Type	Blue Fin
Weight (Ship/Net)	45.4/37.5 lbs

Outdoor Unit	
Compressor	DC inverter Driven Rotary
Uncrated Dimension (HxWxD)	38 x 37 3/8 x 14 5/8 in (965 x 950 x 370 mm)
Crated (HxWxD)	43 1/8 x 41 3/8 x 17 3/4 in (1095 x 1050 x 450 mm)
Outdoor Sound Rating dB	47
Heat Exchanger Fin Type	Blue Fin
Weight (Ship/Net)	202.8/176.4 lbs
Factory Refrigerant Charge	R-410A (88.2 oz)



Heating Capacity Data

Outdoor Air Temp DB	Indoor Set Temperature					
	60°F (16°C)		70°F (21°C)		77°F (25°C)	
	Maximum Heating Capacity (Btu/h)	Power Usage (w)	Max Heating Capacity (Btu/h)	Power Usage (w)	Max Heating Capacity (Btu/h)	Power Usage (w)
-4°F (-20°C)	20,270	2,090	18,530	2,320	17,100	2,620
5°F (-15°C)	21,920	2,150	20,030	2,390	18,490	2,700
17°F (-8°C)	24,270	2,190	22,180	2,440	20,480	2,760
47°F (8°C)	29,760	2,240	27,200	2,490	25,110	2,810

Capacity and power usage are measured under the assumption of indoor humidity of 46%

Cooling Capacity Data

Outdoor Air Temp DB	Indoor Set Temperature					
	70°F (21°C)		75°F (24°C)		80°F (27°C)	
	Total Capacity (Btu/h)	Power Usage (w)	Total Capacity (Btu/h)	Power Usage (w)	Total Capacity (Btu/h)	Power Usage (w)
0°F (-18°C)	22,780	1,260	23,380	1,320	24,080	1,370
14°F (-10°C)	23,210	1,490	23,830	1,550	24,540	1,610
32°F (0°C)	24,780	1,650	25,450	1,700	26,130	1,780
50°F (10°C)	25,620	1,780	26,320	1,840	27,020	1,930
65°F (18°C)	25,120	1,860	25,780	1,940	26,550	2,010
75°F (24°C)	24,570	1,970	25,220	2,060	25,970	2,130
85°F (29°C)	23,950	2,080	24,590	2,170	25,320	2,250
95°F (35°C)	22,890	2,140	23,500	2,240	24,200	2,320
105°F (41°C)	21,620	2,190	22,190	2,290	22,850	2,370
115°F (46°C)	20,330	2,230	20,870	2,340	21,490	2,420

Capacity and power usage are measured under the assumption of indoor humidity of 46%

Haier FlexFit Pro Single Submittal

24000 BTU/HR HIGH STATIC DUCTED INDOOR INVERTER DRIVEN HEAT PUMP SYSTEM 1U24LP2VHA / AM24LP2VHA

Job Name: _____

Purchaser: _____

Submitted To: _____

Construction: _____

Reference: _____

Approval: _____

Date: _____

Submitted By: _____

Unit: _____

Drawing #: _____



Electrical Requirement

Power Supply	208/230V, 1 Phase, 60 HZ
Operating Voltage Range	187~253 VAC
Recommended Fuse/Breaker Size	25A
MCA	21A

Connecting cable to indoor units must be 14/4 AWG unshielded stranded copper. Cable must be ran continuous, without splicing.

Operating Range

Cooling	0~115°F (-18~46°C)
Heating	-4~75°F (-20~24°C)

Cooling Performance

Rated Cooling Capacity	24,000 BTU
Cooling Capacity Range	6,800~30,700 BTU
Rated Power input	2,182 W
SEER	17.0
EER	11.0

Heating Performance

Rated Heating Capacity	26,500 BTU
Heating Capacity Range	6,800~34,100 BTU
HSPF	11.0

Pipe Length

Minimum Pipe Length	6 ft
Maximum Pipe Length	165 ft
Maximum Pipe Height Difference	100 ft
Connection	3/8" (Discharge) 5/8" (Suction) Flare

Accessories

Remote Controller

Ships with Touch Wall Controller (discontinued)

Wired Controller

Compatible with Programmable Wired Controller and Simple Wired Controller

Wind Baffle

Uses wind baffle QAWB38A



GE APPLIANCES
a Haier company

For more information visit us:
www.Haierductless.com
www.Haierductlesshelp.com



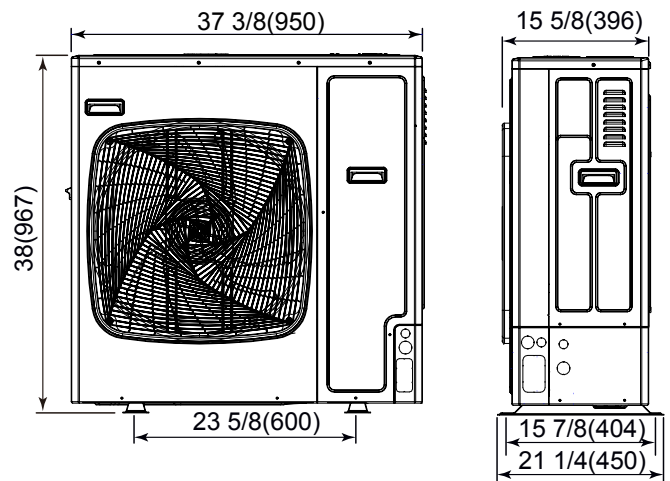
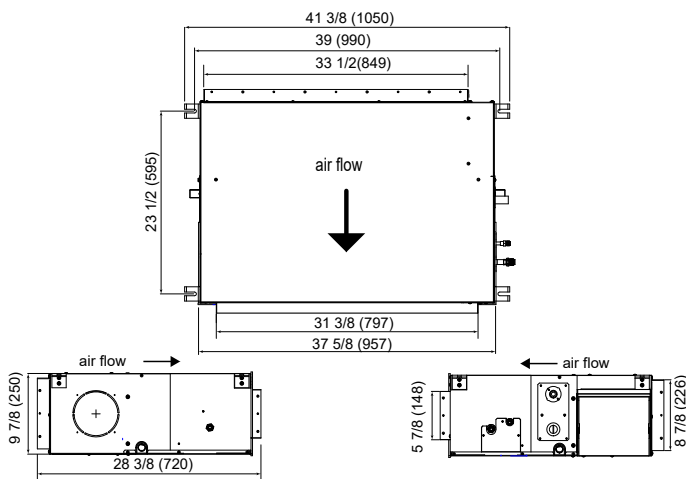
Haier FlexFit Pro Single Submittal

24000 BTU/HR HIGH STATIC DUCTED INDOOR INVERTER DRIVEN HEAT PUMP SYSTEM

1U24LP2VHA / AM24LP2VHA

Indoor Unit	
Uncrated Dimension (HxWxD)	9 7/8 x 41 3/8 x 28 3/8 in (250 x 1050 x 720 mm)
Crated (HxWxD)	13 3/8 x 46 1/8 x 33 7/8 in (340 x 1170 x 860 mm)
Maximum ESP (IWC)	0.60
Airflow CFM (Turbo/High/Med/Low/Quiet)	845/670/530/470
Indoor Sound Level dB (Turbo/High/Med/Low/Quiet)	38/35/32/29
Motor Rating (HP)	0.362
Heat Exchanger Fin Type	Blue Fin
Condensate Pump	Included - 27.5 in Lift
Weight (Ship/Net)	81.1/68.8 lbs

Outdoor Unit	
Compressor	DC inverter Driven Rotary
Uncrated Dimension (HxWxD)	38 x 37 3/8 x 14 5/8 in (965 x 950 x 370 mm)
Crated (HxWxD)	43 1/8 x 41 3/8 x 17 3/4 in (1095 x 1050 x 450 mm)
Outdoor Sound Rating dB	47
Heat Exchanger Fin Type	Blue Fin
Weight (Ship/Net)	202.8/176.4 lbs
Factory Refrigerant Charge	R-410A (88.2 oz)



Heating Capacity Data

Outdoor Air Temp DB	Indoor Set Temperature					
	60°F (16°C)		70°F (21°C)		77°F (25°C)	
	Maximum Heating Capacity (Btu/h)	Power Usage (w)	Max Heating Capacity (Btu/h)	Power Usage (w)	Max Heating Capacity (Btu/h)	Power Usage (w)
-4°F (-20°C)	16,220	1,920	15,780	1,980	15,020	1,920
5°F (-15°C)	17,380	1,980	16,890	2,100	16,450	2,180
17°F (-8°C)	21,270	2,230	21,010	2,320	20,780	2,300
47°F (8°C)	28,200	2,450	27,300	2,570	26,850	2,610

Capacity and power usage are measured under the assumption of indoor humidity of 46%

Cooling Capacity Data

Outdoor Air Temp DB	Indoor Set Temperature					
	70°F (21°C)		75°F (24°C)		80°F (27°C)	
	Total Capacity (Btu/h)	Power Usage (w)	Total Capacity (Btu/h)	Power Usage (w)	Total Capacity (Btu/h)	Power Usage (w)
0°F (-18°C)	22,450	1,430	23,270	1,870	24,110	1,870
14°F (-10°C)	23,250	1,680	24,100	1,900	24,270	1,910
32°F (0°C)	24,970	1,780	25,680	1,990	26,320	2,020
50°F (10°C)	26,080	1,870	26,880	2,060	27,120	2,100
65°F (18°C)	25,710	2,010	26,510	2,130	26,760	2,180
75°F (24°C)	25,200	2,080	26,020	2,180	26,220	2,210
85°F (29°C)	24,310	2,140	25,130	2,270	25,400	2,300
95°F (35°C)	22,820	2,190	23,610	2,300	24,600	2,330
105°F (41°C)	22,020	2,280	22,810	2,310	23,100	2,370
115°F (46°C)	20,320	2,350	21,160	2,390	21,900	2,450

Capacity and power usage are measured under the assumption of indoor humidity of 46%

Haier FlexFit Pro Single Submittal

24000 BTU/HR 3x3 LARGE CASSETTE INVERTER DRIVEN HEAT PUMP SYSTEM 1U24LP2VHA / AL24LP2VHA

Job Name: _____

Purchaser: _____

Submitted To: _____

Construction: _____

Reference: _____

Approval: _____

Date: _____

Submitted By: _____

Unit: _____

Drawing #: _____



Accessories

Remote controller

Ships with Large Cassette Remote

Wired Thermostat

Compatible with Touch Wall Controller (discontinued), Programmable Wired Controller, and Simple Wired Controller.

Wind Baffle

Uses wind baffle QAWB38A

Panel

PB-950KB is required to complete the installation and it must be ordered separately



For more information visit us:
www.Haierductless.com
www.Haierductlesshelp.com

Electrical Requirement

Power Supply	208/230V, 1 Phase, 60 HZ
Operating Voltage Range	187~253 VAC
Recommended Fuse/Breaker Size	25A
MCA	21A

Connecting cable to indoor units must be 14/4 AWG unshielded stranded copper. Cable must be ran continuous, without splicing.

Operating Range

Cooling	0~115°F (-18~46°C)
Heating	-4~75°F (-20~24°C)

Cooling Performance

Rated Cooling Capacity	24,000 BTU
Cooling Capacity Range	6,800~27,000 BTU
Rated Power input	2,087 W
SEER	17.0
EER	11.5

Heating Performance

Rated Heating Capacity	27,300 BTU
Heating Capacity Range	6,800~30,500 BTU
HSPF	10.0

Pipe Length

Minimum Pipe Length	6 ft
Maximum Pipe Length	165 ft
Maximum Pipe Height Difference	100 ft
Connection	3/8" (Discharge) 5/8" (Suction) Flare



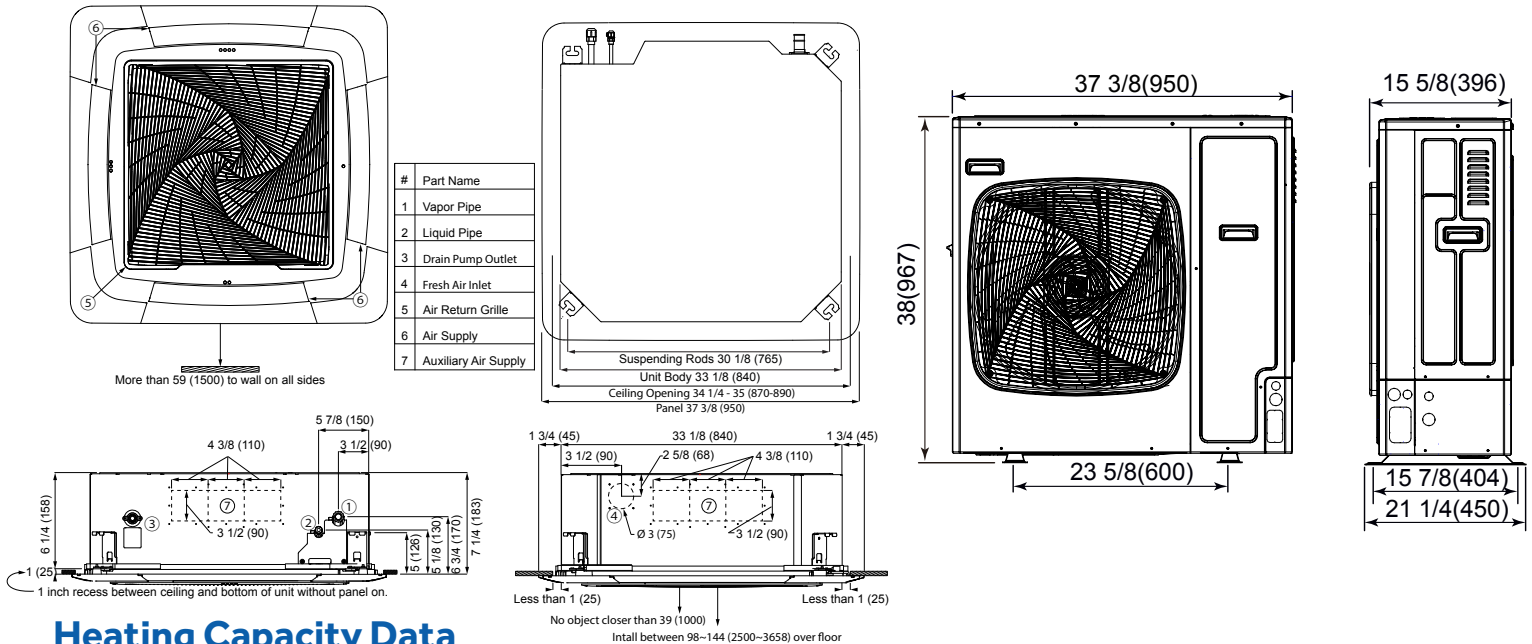
Haier FlexFit Pro Single Submittal

24000 BTU/HR 3x3 LARGE CASSETTE INVERTER DRIVEN HEAT PUMP SYSTEM

1U24LP2VHA / AL24LP2VHA

Indoor Unit	
Uncrated Dimension (HxWxD)	9 5/8 x 33 1/8 x 33 1/8 in (246 x 840 x 840 mm)
Crated (HxWxD)	12 1/4 x 39 x 39 in (310 x 990 x 990 mm)
Panel Uncrated Dimension (HxWxD)	2 x 37 3/8 x 37 3/8 in (50 x 950 x 950 mm)
Panel Crated (HxWxD)	4 3/8 x 39 3/8 x 39 3/8 in (110 x 1000 x 1000 mm)
Airflow CFM (Turbo/High/Med/Low/Quiet)	740/630/480/400
Indoor Sound Level dB (Turbo/High/Med/Low/Quiet)	36/33/29/26
Motor Rating (HP)	0.161
Heat Exchanger Fin Type	Blue Fin
Condensate Pump	Included - 47.2 in Lift
Weight (Ship/Net)	79.4/68.3 lbs

Outdoor Unit	
Compressor	DC inverter Driven Rotary
Uncrated Dimension (HxWxD)	38 x 37 3/8 x 14 5/8 in (965 x 950 x 370 mm)
Crated (HxWxD)	43 1/8 x 41 3/8 x 17 3/4 in (1095 x 1050 x 450 mm)
Outdoor Sound Rating dB	47
Heat Exchanger Fin Type	Blue Fin
Weight (Ship/Net)	202.8/176.4 lbs
Factory Refrigerant Charge	R-410A (88.2 oz)



Heating Capacity Data

Outdoor Air Temp DB	Indoor Set Temperature					
	60°F (16°C)		70°F (21°C)		77°F (25°C)	
	Maximum Heating Capacity (Btu/h)	Power Usage (w)	Max Heating Capacity (Btu/h)	Power Usage (w)	Max Heating Capacity (Btu/h)	Power Usage (w)
-4°F (-20°C)	15,450	1,910	15,030	1,970	14,620	1,900
5°F (-15°C)	16,780	1,970	16,520	2,090	15,780	2,170
17°F (-8°C)	20,210	2,220	20,030	2,310	19,560	2,290
47°F (8°C)	27,990	2,450	27,110	2,560	26,640	2,610

Cooling Capacity Data

Outdoor Air Temp DB	Indoor Set Temperature					
	70°F (21°C)		75°F (24°C)		80°F (27°C)	
	Total Capacity (Btu/h)	Power Usage (w)	Total Capacity (Btu/h)	Power Usage (w)	Total Capacity (Btu/h)	Power Usage (w)
0°F (-18°C)	22,340	1,440	23,150	1,850	24,020	1,860
14°F (-10°C)	23,140	1,680	24,020	1,870	24,180	1,900
32°F (0°C)	24,890	1,770	25,760	1,990	26,110	1,990
50°F (10°C)	25,960	1,870	26,600	2,040	27,010	2,090
65°F (18°C)	25,600	2,010	26,410	2,110	26,620	2,160
75°F (24°C)	25,090	2,060	25,890	2,160	26,120	2,210
85°F (29°C)	24,210	2,120	25,010	2,240	25,280	2,290
95°F (35°C)	22,680	2,150	23,520	2,290	24,280	2,300
105°F (41°C)	21,910	2,170	22,620	2,300	22,980	2,350
115°F (46°C)	20,220	2,210	21,020	2,370	21,780	2,410

Capacity and power usage are measured under the assumption of indoor humidity of 46%

Haier FlexFit Pro Single Submittal

36000 BTU/HR WALL MOUNTED INVERTER DRIVEN HEAT PUMP SYSTEM

1U36LP2VHA / AW36LP2VHA

Job Name: _____

Purchaser: _____

Submitted To: _____

Construction: _____

Reference: _____

Approval: _____

Date: _____

Submitted By: _____

Unit: _____

Drawing #: _____



Accessories

Remote Controller

Ships with Primary Remote Control

Wired Controller

Compatible with Touch Wall Controller (discontinued), Programmable Wired Controller, and Simple Wired Controller. All wired controllers require interface kit WK-B.

WiFi

Compatible with WiFi Module.

Wind Baffle

Uses wind baffle QAWB38A

Electrical Requirement

Power Supply	208/230V, 1 Phase, 60 HZ
Operating Voltage Range	187~253 VAC
Recommended Fuse/Breaker Size	30A
MCA	26A

Connecting cable to indoor units must be 14/4 AWG unshielded stranded copper. Cable must be ran continuous, without splicing.

Operating Range

Cooling	0~115°F (-18~46°C)
Heating	-4~75°F (-20~24°C)

Cooling Performance

Rated Cooling Capacity	35,000 BTU
Cooling Capacity Range	6,200~30,700 BTU
Rated Power input	3,500 W
SEER	17.0
EER	8.6

Heating Performance

Rated Heating Capacity	37,000 BTU
Heating Capacity Range	8,500~41,000 BTU
HSPF	10.0

Pipe Length

Minimum Pipe Length	6 ft
Maximum Pipe Length	165 ft
Maximum Pipe Height Difference	100 ft
Connection	3/8" (Discharge) 5/8" (Suction) Flare



For more information visit us:
www.Haierductless.com
www.Haierductlesshelp.com



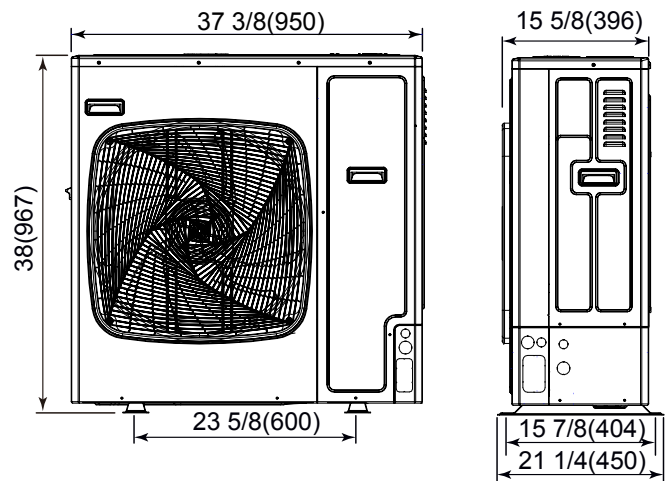
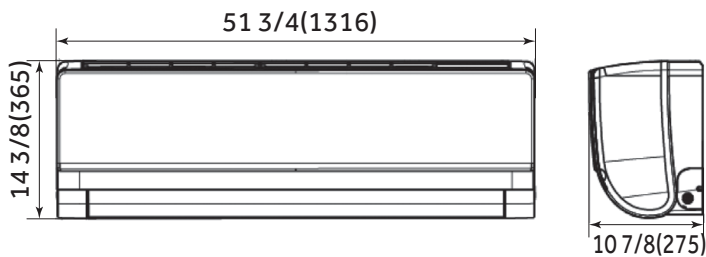
Haier FlexFit Pro Single Submittal

36000 BTU/HR WALL MOUNTED INVERTER DRIVEN HEAT PUMP SYSTEM

1U36LP2VHA / AW36LP2VHA

Indoor Unit	
Uncrated Dimension (HxWxD)	14 3/8 x 51 3/4 x 10 7/8 in (365 x 1316 x 275 mm)
Crated (HxWxD)	18 7/8 x 55 7/8 x 15 7/8 in (478 x 1418 x 402 mm)
Airflow CFM (Turbo/High/Med/Low/Quiet)	720/660/570/450/420
Indoor Sound Level dB (Turbo/High/Med/Low/Quiet)	50/48/44/38/36
Motor Rating (HP)	0.094
Heat Exchanger Fin Type	Blue Fin
Weight (Ship/Net)	55.1/46.3 lbs

Outdoor Unit	
Compressor	DC inverter Driven Rotary
Uncrated Dimension (HxWxD)	38 x 37 3/8 x 14 5/8 in (965 x 950 x 370 mm)
Crated (HxWxD)	43 1/8 x 41 3/8 x 17 3/4 in (1095 x 1050 x 450 mm)
Outdoor Sound Rating dB	52
Heat Exchanger Fin Type	Blue Fin
Weight (Ship/Net)	207.2/180.7 lbs
Factory Refrigerant Charge	R-410A (88.2 oz)



Heating Capacity Data

Outdoor Air Temp DB	Indoor Set Temperature					
	60°F (16°C)		70°F (21°C)		77°F (25°C)	
	Maximum Heating Capacity (Btu/h)	Power Usage (w)	Max Heating Capacity (Btu/h)	Power Usage (w)	Max Heating Capacity (Btu/h)	Power Usage (w)
-4°F (-20°C)	28,180	3,230	25,760	3,590	23,780	4,060
5°F (-15°C)	31,590	3,290	28,880	3,660	26,660	4,140
17°F (-8°C)	34,720	3,340	31,740	3,710	29,300	4,190
47°F (8°C)	41,030	3,390	37,510	3,770	34,620	4,260

Capacity and power usage are measured under the assumption of indoor humidity of 46%

Cooling Capacity Data

Outdoor Air Temp DB	Indoor Set Temperature					
	70°F (21°C)		75°F (24°C)		80°F (27°C)	
	Total Capacity (Btu/h)	Power Usage (w)	Total Capacity (Btu/h)	Power Usage (w)	Total Capacity (Btu/h)	Power Usage (w)
0°F (-18°C)	33,250	2,640	34,130	2,760	35,150	2,860
14°F (-10°C)	33,400	2,830	34,290	2,960	35,310	3,070
32°F (0°C)	34,320	3,160	35,280	3,270	36,300	3,380
50°F (10°C)	35,220	3,350	36,120	3,500	37,220	3,610
65°F (18°C)	34,840	3,480	35,760	3,640	36,830	3,770
75°F (24°C)	34,160	3,550	35,060	3,720	36,110	3,850
85°F (29°C)	33,790	3,630	34,680	3,790	35,720	3,930
95°F (35°C)	33,710	3,860	34,600	4,030	35,630	4,180
105°F (41°C)	31,330	3,810	32,160	3,990	33,120	4,130
115°F (46°C)	30,470	3,900	31,280	4,070	32,210	4,220

Capacity and power usage are measured under the assumption of indoor humidity of 46%

Haier FlexFit Pro Single Submittal

36000 BTU/HR HIGH STATIC DUCTED INDOOR INVERTER DRIVEN HEAT PUMP SYSTEM 1U36LP2VHA / AM36LP2VHA

Job Name: _____

Purchaser: _____

Submitted To: _____

Construction: _____

Reference: _____

Approval: _____

Date: _____

Submitted By: _____

Unit: _____

Drawing #: _____



Accessories

Remote Controller

Ships with Touch Wall Controller (discontinued)

Wired Controller

Compatible with Programmable Wired Controller and Simple Wired Controller

Wind Baffle

Uses wind baffle QAWB38A

Electrical Requirement	
Power Supply	208/230V, 1 Phase, 60 HZ
Operating Voltage Range	187~253 VAC
Recommended Fuse/Breaker Size	30A
MCA	26A

Connecting cable to indoor units must be 14/4 AWG unshielded stranded copper. Cable must be ran continuous, without splicing.

Operating Range	
Cooling	0~115°F (-18~46°C)
Heating	-4~75°F (-20~24°C)

Cooling Performance	
Rated Cooling Capacity	35,000 BTU
Cooling Capacity Range	8,500~37,500 BTU
Rated Power input	3,500 W
SEER	17.0
EER	10.0

Heating Performance	
Rated Heating Capacity	37,500 BTU
Heating Capacity Range	8,500~41,000 BTU
HSPF	10.5

Pipe Length	
Minimum Pipe Length	6 ft
Maximum Pipe Length	165 ft
Maximum Pipe Height Difference	100 ft
Connection	3/8" (Discharge) 5/8" (Suction) Flare



For more information visit us:
www.Haierductless.com
www.Haierductlesshelp.com



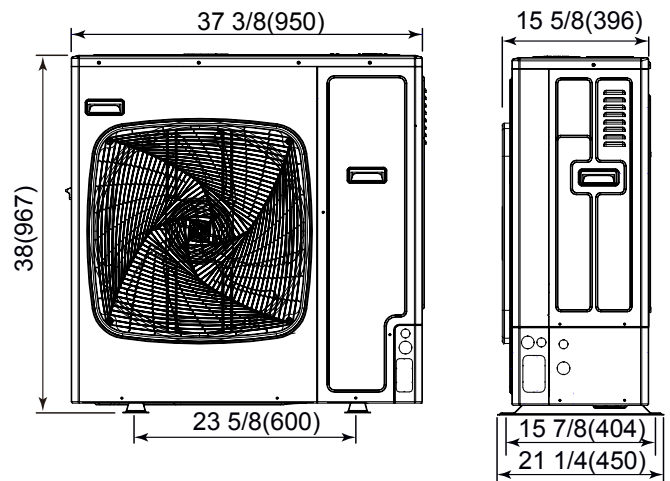
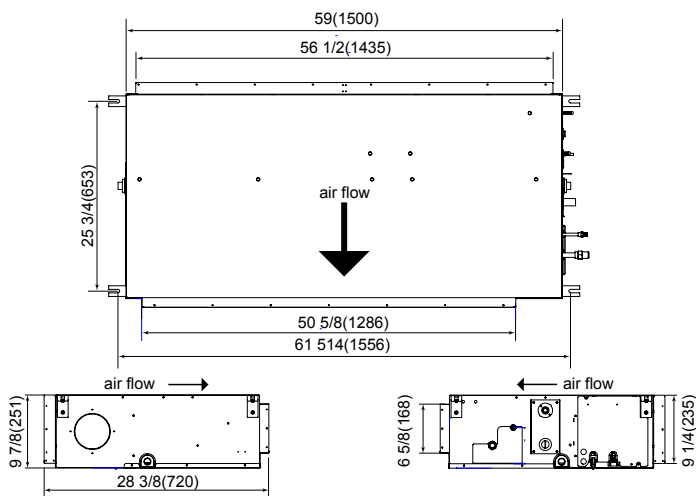
Haier FlexFit Pro Single Submittal

36000 BTU/HR HIGH STATIC DUCTED INDOOR INVERTER DRIVEN HEAT PUMP SYSTEM

1U36LP2VHA / AM36LP2VHA

Indoor Unit	
Uncrated Dimension (HxWxD)	9 7/8 x 59 x 28 3/8 in (250 x 1500 x 720 mm)
Crated (HxWxD)	12 5/8 x 67 3/8 x 34 in (320 x 1710 x 865 mm)
Maximum ESP (IWC)	0.60
Airflow CFM (Turbo/High/Med/Low/Quiet)	1100/950/735/675
Indoor Sound Level dB (Turbo/High/Med/Low/Quiet)	32/28/25/23
Motor Rating (HP)	0.617
Heat Exchanger Fin Type	Blue Fin
Condensate Pump	Included - 27.5 in Lift
Weight (Ship/Net)	130.1/121.3 lbs

Outdoor Unit	
Compressor	DC inverter Driven Rotary
Uncrated Dimension (HxWxD)	38 x 37 3/8 x 14 5/8 in (965 x 950 x 370 mm)
Crated (HxWxD)	43 1/8 x 41 3/8 x 17 3/4 in (1095 x 1050 x 450 mm)
Outdoor Sound Rating dB	52
Heat Exchanger Fin Type	Blue Fin
Weight (Ship/Net)	207.2/180.7 lbs
Factory Refrigerant Charge	R-410A (88.2 oz)



Heating Capacity Data

Outdoor Air Temp DB	Indoor Set Temperature					
	60°F (16°C)		70°F (21°C)		77°F (25°C)	
	Maximum Heating Capacity (Btu/h)	Power Usage (w)	Max Heating Capacity (Btu/h)	Power Usage (w)	Max Heating Capacity (Btu/h)	Power Usage (w)
-4°F (-20°C)	22,100	2,470	21,120	2,610	20,290	2,650
5°F (-15°C)	25,430	2,650	23,140	2,690	21,200	2,730
17°F (-8°C)	31,020	3,310	29,890	3,230	29,310	3,310
47°F (8°C)	38,170	3,510	37,870	3,520	35,560	3,550

Capacity and power usage are measured under the assumption of indoor humidity of 46%

Cooling Capacity Data

Outdoor Air Temp DB	Indoor Set Temperature					
	70°F (21°C)		75°F (24°C)		80°F (27°C)	
	Total Capacity (Btu/h)	Power Usage (w)	Total Capacity (Btu/h)	Power Usage (w)	Total Capacity (Btu/h)	Power Usage (w)
0°F (-18°C)	34,180	2,340	34,960	2,520	35,970	2,530
14°F (-10°C)	34,980	2,540	35,770	2,710	36,350	2,720
32°F (0°C)	35,730	2,710	36,510	2,890	36,720	2,890
50°F (10°C)	36,150	2,880	36,900	3,040	37,110	3,070
65°F (18°C)	35,690	3,010	36,470	3,190	36,780	3,200
75°F (24°C)	35,220	3,130	36,000	3,300	36,420	3,310
85°F (29°C)	35,430	3,210	36,210	3,380	36,010	3,390
95°F (35°C)	34,890	3,310	35,670	3,480	35,890	3,490
105°F (41°C)	34,720	3,700	35,510	3,870	35,730	3,910
115°F (46°C)	31,440	3,580	32,230	3,750	33,240	3,760

Capacity and power usage are measured under the assumption of indoor humidity of 46%

Haier FlexFit Pro Single Submittal

36000 BTU/HR 3x3 LARGE CASSETTE INVERTER DRIVEN HEAT PUMP SYSTEM 1U36LP2VHA / AL36LP2VHA

Job Name: _____

Purchaser: _____

Submitted To: _____

Construction: _____

Reference: _____

Approval: _____

Date: _____

Submitted By: _____

Unit: _____

Drawing #: _____



Accessories

Remote controller

Ships with Large Cassette Remote

Wired Thermostat

Compatible with Touch Wall Controller (discontinued), Programmable Wired Controller, and Simple Wired Controller.

Wind Baffle

Uses wind baffle QAWB38A

Panel

PB-950KB is required to complete the installation and it must be ordered separately



For more information visit us:
www.Haierductless.com
www.Haierductlesshelp.com

Electrical Requirement

Power Supply	208/230V, 1 Phase, 60 HZ
Operating Voltage Range	187~253 VAC
Recommended Fuse/Breaker Size	30A
MCA	26A

Connecting cable to indoor units must be 14/4 AWG unshielded stranded copper. Cable must be ran continuous, without splicing.

Operating Range

Cooling	0~115°F (-18~46°C)
Heating	-4~75°F (-20~24°C)

Cooling Performance

Rated Cooling Capacity	35,000 BTU
Cooling Capacity Range	8,500~37,500 BTU
Rated Power input	3,500 W
SEER	17.0
EER	10.0

Heating Performance

Rated Heating Capacity	36,500 BTU
Heating Capacity Range	8,500~38,500 BTU
HSPF	10.3

Pipe Length

Minimum Pipe Length	6 ft
Maximum Pipe Length	165 ft
Maximum Pipe Height Difference	100 ft
Connection	3/8" (Discharge) 5/8" (Suction) Flare

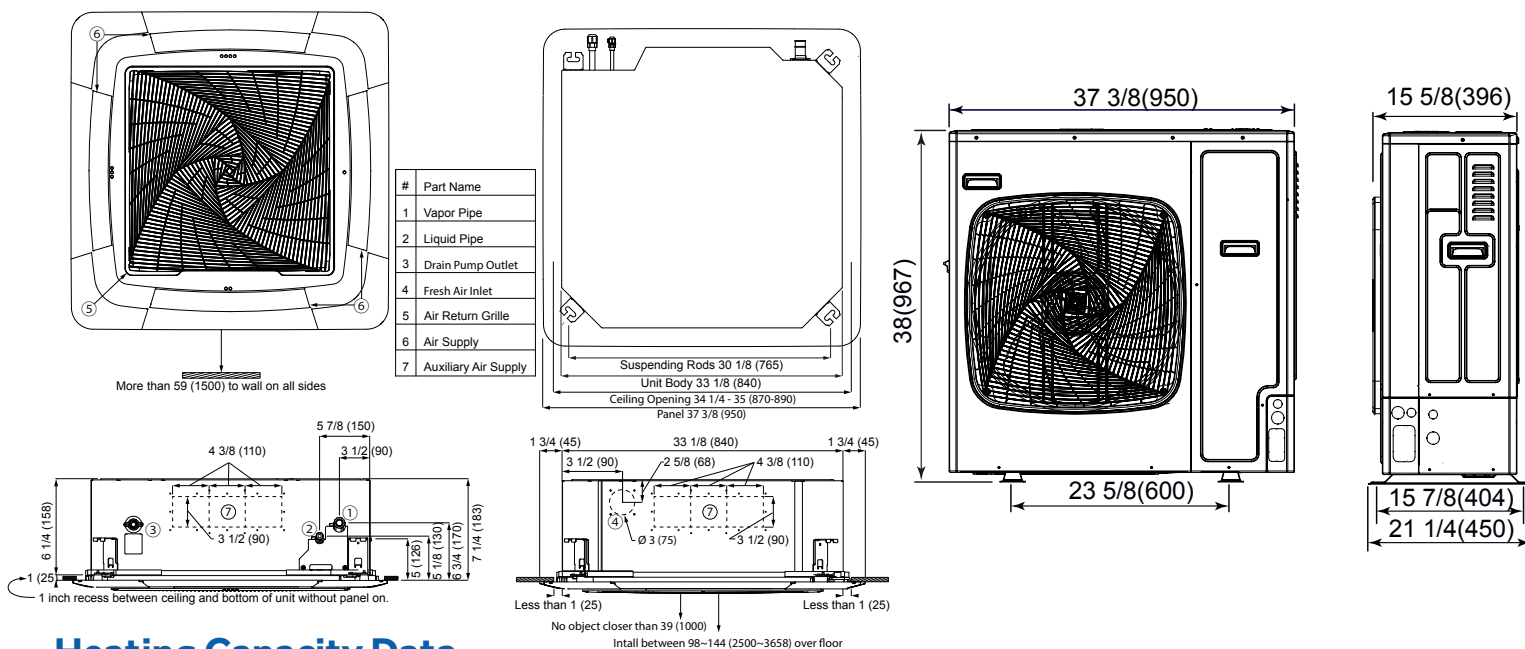


Haier FlexFit Pro Single Submittal

36000 BTU/HR 3x3 LARGE CASSETTE INVERTER DRIVEN HEAT PUMP SYSTEM 1U36LP2VHA / AL36LP2VHA

Indoor Unit	
Uncrated Dimension (HxWxD)	9 5/8 x 33 1/8 x 33 1/8 in (246 x 840 x 840 mm)
Crated (HxWxD)	12 1/4 x 39 x 39 in (310 x 990 x 990 mm)
Panel Uncrated Dimension (HxWxD)	2 x 37 3/8 x 37 3/8 in (50 x 950 x 950 mm)
Panel Crated (HxWxD)	4 3/8 x 39 3/8 x 39 3/8 in (110 x 1000 x 1000 mm)
Airflow CFM (Turbo/High/Med/Low/Quiet)	740/630/480/400
Indoor Sound Level dB (Turbo/High/Med/Low/Quiet)	45/42/38/34
Motor Rating (HP)	0.161
Heat Exchanger Fin Type	Blue Fin
Condensate Pump	Included - 47.2 in Lift
Weight (Ship/Net)	79.4/68.3 lbs

Outdoor Unit	
Compressor	DC inverter Driven Rotary
Uncrated Dimension (HxWxD)	38 x 37 3/8 x 14 5/8 in (965 x 950 x 370 mm)
Crated (HxWxD)	43 1/8 x 41 3/8 x 17 3/4 in (1095 x 1050 x 450 mm)
Outdoor Sound Rating dB	52
Heat Exchanger Fin Type	Blue Fin
Weight (Ship/Net)	207.2/180.7 lbs
Factory Refrigerant Charge	R-410A (88.2 oz)



Heating Capacity Data

Outdoor Air Temp DB	Indoor Set Temperature					
	60°F (16°C)		70°F (21°C)		77°F (25°C)	
	Maximum Heating Capacity (Btu/h)	Power Usage (w)	Max Heating Capacity (Btu/h)	Power Usage (w)	Max Heating Capacity (Btu/h)	Power Usage (w)
-4°F (-20°C)	19,890	2,510	18,780	2,560	17,960	2,520
5°F (-15°C)	22,350	2,690	21,050	2,710	20,460	2,750
17°F (-8°C)	27,360	3,220	26,140	3,210	25,470	3,280
47°F (8°C)	37,980	3,430	37,070	3,490	36,210	3,500

Cooling Capacity Data

Outdoor Air Temp DB	Indoor Set Temperature					
	70°F (21°C)		75°F (24°C)		80°F (27°C)	
	Total Capacity (Btu/h)	Power Usage (w)	Total Capacity (Btu/h)	Power Usage (w)	Total Capacity (Btu/h)	Power Usage (w)
0°F (-18°C)	34,160	2,330	34,930	2,510	35,780	2,520
14°F (-10°C)	34,970	2,520	35,740	2,700	36,170	2,710
32°F (0°C)	35,710	2,690	36,480	2,880	36,540	2,890
50°F (10°C)	36,090	2,850	36,840	3,040	36,950	3,050
65°F (18°C)	35,670	3,010	36,450	3,180	36,600	3,190
75°F (24°C)	35,200	3,110	35,970	3,290	36,240	3,300
85°F (29°C)	35,410	3,190	36,180	3,370	35,830	3,380
95°F (35°C)	34,870	3,290	35,640	3,470	35,710	3,480
105°F (41°C)	34,710	3,680	35,480	3,860	35,550	3,900
115°F (46°C)	31,430	3,560	32,200	3,740	33,060	3,750

Capacity and power usage are measured under the assumption of indoor humidity of 46%

Haier FlexFit Pro Single Submittal

48000 BTU/HR HIGH STATIC DUCTED INDOOR INVERTER DRIVEN HEAT PUMP SYSTEM 1U48LP2VHA / AM48LP2VHA

Job Name: _____

Purchaser: _____

Submitted To: _____

Construction: _____

Reference: _____

Approval: _____

Date: _____

Submitted By: _____

Unit: _____

Drawing #: _____



Accessories

Remote Controller

Ships with Touch Wall Controller (discontinued)

Wired Controller

Compatible with Programmable Wired Controller and Simple Wired Controller

Wind Baffle

Uses wind baffle QAWB38A (requires 2)

Electrical Requirement

Power Supply	208/230V, 1 Phase, 60 HZ
Operating Voltage Range	187~253 VAC
Recommended Fuse/Breaker Size	40A
MCA	35A

Connecting cable to indoor units must be 14/4 AWG unshielded stranded copper. Cable must be ran continuous, without splicing.

Operating Range

Cooling	0~115°F (-18~46°C)
Heating	-4~75°F (-20~24°C)

Cooling Performance

Rated Cooling Capacity	47,000 BTU
Cooling Capacity Range	11,900~54,500 BTU
Rated Power input	4,476 W
SEER	17.0
EER	10.5

Heating Performance

Rated Heating Capacity	52,000 BTU
Heating Capacity Range	13,600~64,800 BTU
HSPF	10.0

Pipe Length

Minimum Pipe Length	6 ft
Maximum Pipe Length	230 ft
Maximum Pipe Height Difference	100 ft
Connection	3/8" (Discharge) 5/8" (Suction) Flare



For more information visit us:
www.Haierductless.com
www.Haierductlesshelp.com



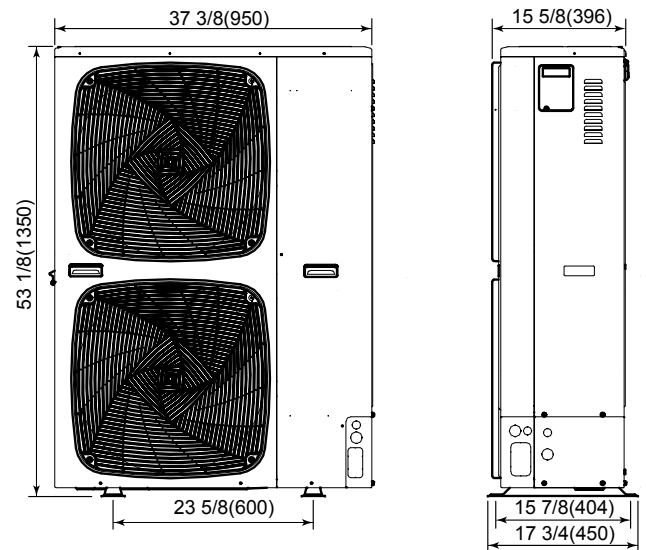
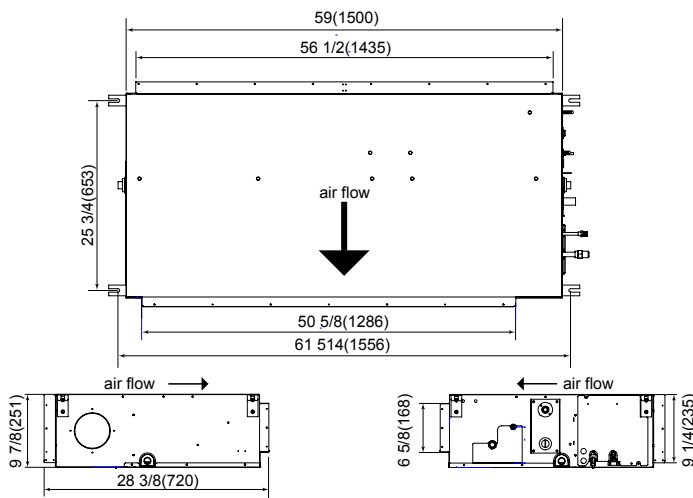
Haier FlexFit Pro Single Submittal

48000 BTU/HR HIGH STATIC DUCTED INDOOR INVERTER DRIVEN HEAT PUMP SYSTEM

1U48LP2VHA / AM48LP2VHA

Indoor Unit	
Uncrated Dimension (HxWxD)	9 7/8 x 59 x 28 3/8 in (250 x 1500 x 720 mm)
Crated (HxWxD)	13 3/8 x 63 3/4 x 33 7/8 in (340 x 1620 x 860 mm)
Maximum ESP (IWC)	0.60
Airflow CFM (Turbo/High/Med/Low/Quiet)	1350/1150/930/765
Indoor Sound Level dB (Turbo/High/Med/Low/Quiet)	41/36/33/31
Motor Rating (HP)	0.617
Heat Exchanger Fin Type	Blue Fin
Condensate Pump	Included - 27.5 in Lift
Weight (Ship/Net)	132.3/114.6 lbs

Outdoor Unit	
Compressor	DC inverter Driven Rotary
Uncrated Dimension (HxWxD)	53 1/8 x 37 3/8 x 14 5/8 in (1350 x 950 x 370 mm)
Crated (HxWxD)	59 x 42 7/8 x 18 7/8 in (1500 x 1090 x 480 mm)
Outdoor Sound Rating dB	53
Heat Exchanger Fin Type	Blue Fin
Weight (Ship/Net)	260.1/231.5 lbs
Factory Refrigerant Charge	R-410A (131 oz)



Heating Capacity Data

Outdoor Air Temp DB	Indoor Set Temperature					
	60°F (16°C)		70°F (21°C)		77°F (25°C)	
	Maximum Heating Capacity (Btu/h)	Power Usage (w)	Max Heating Capacity (Btu/h)	Power Usage (w)	Max Heating Capacity (Btu/h)	Power Usage (w)
-4°F (-20°C)	28,710	3,490	27,680	3,510	26,450	3,520
5°F (-15°C)	32,400	3,950	31,200	3,920	29,980	3,950
17°F (-8°C)	35,620	4,030	34,210	4,170	33,560	4,150
47°F (8°C)	52,120	4,630	51,190	4,790	50,870	4,830

Capacity and power usage are measured under the assumption of indoor humidity of 46%

Cooling Capacity Data

Outdoor Air Temp DB	Indoor Set Temperature					
	70°F (21°C)		75°F (24°C)		80°F (27°C)	
	Total Capacity (Btu/h)	Power Usage (w)	Total Capacity (Btu/h)	Power Usage (w)	Total Capacity (Btu/h)	Power Usage (w)
0°F (-18°C)	44,540	3,360	45,260	3,380	45,870	3,410
14°F (-10°C)	45,790	3,470	46,510	3,490	47,120	3,520
32°F (0°C)	47,110	3,590	47,890	3,610	48,420	3,650
50°F (10°C)	48,410	3,840	49,290	3,790	49,920	3,910
65°F (18°C)	47,650	4,260	48,370	4,280	48,980	4,310
75°F (24°C)	47,190	4,470	47,780	4,490	48,520	4,520
85°F (29°C)	46,980	4,560	47,700	4,580	48,310	4,610
95°F (35°C)	46,650	4,730	47,370	4,750	47,980	4,780
105°F (41°C)	43,990	5,260	44,710	5,280	45,320	5,310
115°F (46°C)	38,890	4,160	39,620	4,180	40,210	4,810

Capacity and power usage are measured under the assumption of indoor humidity of 46%

Haier FlexFit Pro Single Submittal

48000 BTU/HR 3x3 LARGE CASSETTE INVERTER DRIVEN HEAT PUMP SYSTEM 1U48LP2VHA / AL48LP2VHA

Job Name: _____

Purchaser: _____

Submitted To: _____

Construction: _____

Reference: _____

Approval: _____

Date: _____

Submitted By: _____

Unit: _____

Drawing #: _____



Accessories

Remote controller

Ships with Large Cassette Remote

Wired Thermostat

Compatible with Touch Wall Controller (discontinued), Programmable Wired Controller, and Simple Wired Controller.

Wind Baffle

Uses wind baffle QAWB38A (requires 2)

Panel

PB-950KB is required to complete the installation and it must be ordered separately



For more information visit us:
www.Haierductless.com
www.Haierductlesshelp.com

Electrical Requirement

Power Supply	208/230V, 1 Phase, 60 HZ
Operating Voltage Range	187~253 VAC
Recommended Fuse/Breaker Size	40A
MCA	35A

Connecting cable to indoor units must be 14/4 AWG unshielded stranded copper. Cable must be ran continuous, without splicing.

Operating Range

Cooling	0~115°F (-18~46°C)
Heating	-4~75°F (-20~24°C)

Cooling Performance

Rated Cooling Capacity	45,000 BTU
Cooling Capacity Range	11,900~52,800 BTU
Rated Power input	4286 W
SEER	17.0
EER	10.5

Heating Performance

Rated Heating Capacity	49,000 BTU
Heating Capacity Range	13,600~61,000 BTU
HSPF	10.5

Pipe Length

Minimum Pipe Length	6 ft
Maximum Pipe Length	230 ft
Maximum Pipe Height Difference	100 ft
Connection	3/8" (Discharge) 5/8" (Suction) Flare

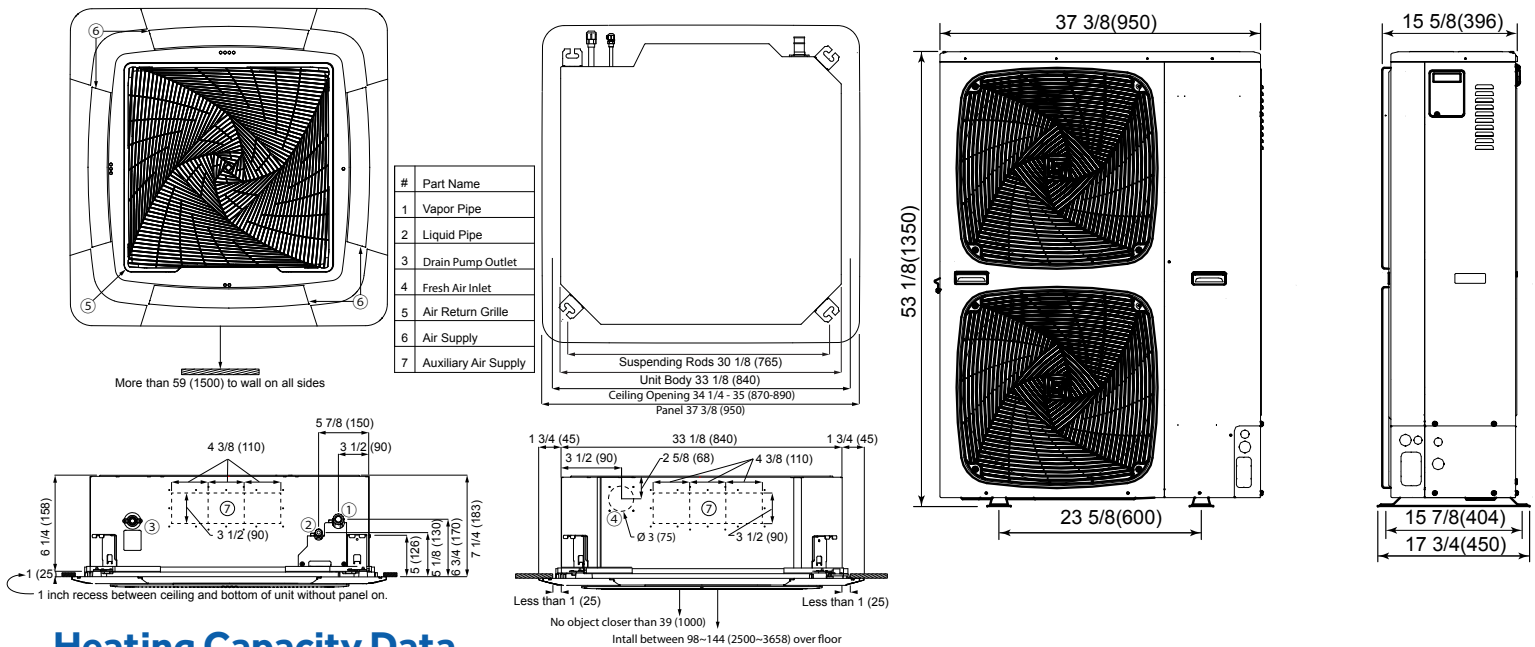


Haier FlexFit Pro Single Submittal

48000 BTU/HR 3x3 LARGE CASSETTE INVERTER DRIVEN HEAT PUMP SYSTEM 1U48LP2VHA / AL48LP2VHA

Indoor Unit	
Uncrated Dimension (HxWxD)	11 3/8 x 33 1/8 x 33 1/8 in (288 x 840 x 840 mm)
Crated (HxWxD)	15 x 39 x 39 in (380 x 990 x 990 mm)
Panel Uncrated Dimension (HxWxD)	2 x 37 3/8 x 37 3/8 in (50 x 950 x 950 mm)
Panel Crated (HxWxD)	4 3/8 x 39 3/8 x 39 3/8 in (110 x 1000 x 1000 mm)
Airflow CFM (Turbo/High/Med/Low/Quiet)	740/630/480/400
Indoor Sound Level dB (Turbo/High/Med/Low/Quiet)	41/36/33/31
Motor Rating (HP)	0.161
Heat Exchanger Fin Type	Blue Fin
Condensate Pump	Included - 47.2 in Lift
Weight (Ship/Net)	83.8/70.5 lbs

Outdoor Unit	
Compressor	DC inverter Driven Rotary
Uncrated Dimension (HxWxD)	53 1/8 x 37 3/8 x 14 5/8 in (1350 x 950 x 370 mm)
Crated (HxWxD)	59 x 42 7/8 x 18 7/8 in (1500 x 1090 x 480 mm)
Outdoor Sound Rating dB	53
Heat Exchanger Fin Type	Blue Fin
Weight (Ship/Net)	260.1/231.5 lbs
Factory Refrigerant Charge	R-410A (131 oz)



Heating Capacity Data

Outdoor Air Temp DB	Indoor Set Temperature					
	60°F (16°C)		70°F (21°C)		77°F (25°C)	
	Maximum Heating Capacity (Btu/h)	Power Usage (w)	Max Heating Capacity (Btu/h)	Power Usage (w)	Max Heating Capacity (Btu/h)	Power Usage (w)
-4°F (-20°C)	29,780	3,510	28,890	3,600	27,120	3,590
5°F (-15°C)	34,290	4,090	32,380	3,960	31,590	4,070
17°F (-8°C)	38,250	4,100	37,640	4,140	35,830	4,190
47°F (8°C)	52,320	4,680	51,280	4,810	51,120	4,870

Cooling Capacity Data

Outdoor Air Temp DB	Indoor Set Temperature					
	70°F (21°C)		75°F (24°C)		80°F (27°C)	
	Total Capacity (Btu/h)	Power Usage (w)	Total Capacity (Btu/h)	Power Usage (w)	Total Capacity (Btu/h)	Power Usage (w)
0°F (-18°C)	44,330	3,350	45,070	3,360	45,670	3,390
14°F (-10°C)	45,580	3,460	46,320	3,470	46,920	3,500
32°F (0°C)	46,940	3,580	47,640	3,600	48,270	3,630
50°F (10°C)	48,360	3,810	49,100	3,970	49,520	3,910
65°F (18°C)	47,440	4,250	48,180	4,260	48,780	4,290
75°F (24°C)	46,980	4,460	47,590	4,470	48,320	4,500
85°F (29°C)	46,770	4,550	47,510	4,560	48,110	4,590
95°F (35°C)	46,440	4,720	47,180	4,730	47,780	4,760
105°F (41°C)	43,780	5,250	44,520	5,260	45,120	5,290
115°F (46°C)	38,680	4,150	39,430	4,160	40,010	4,780

Capacity and power usage are measured under the assumption of indoor humidity of 46%